

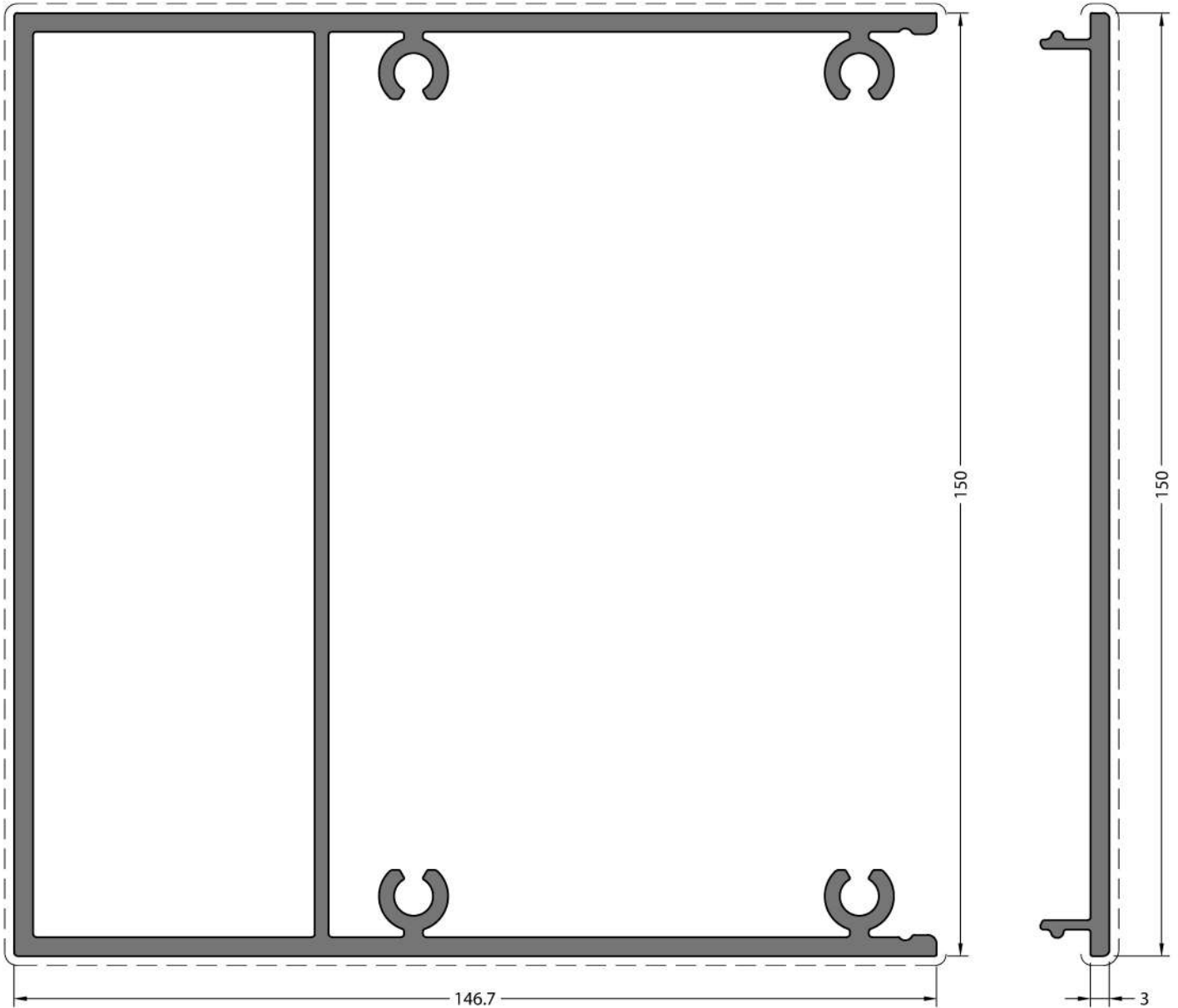


 **LORENZOLINE**

150BC

Rolling Roof System

PROFILES
PROFILLER



CODE / KOD

150BC-101-00

THEORETICAL WEIGHT
TEORİK AĞIRLIK (kg/m)

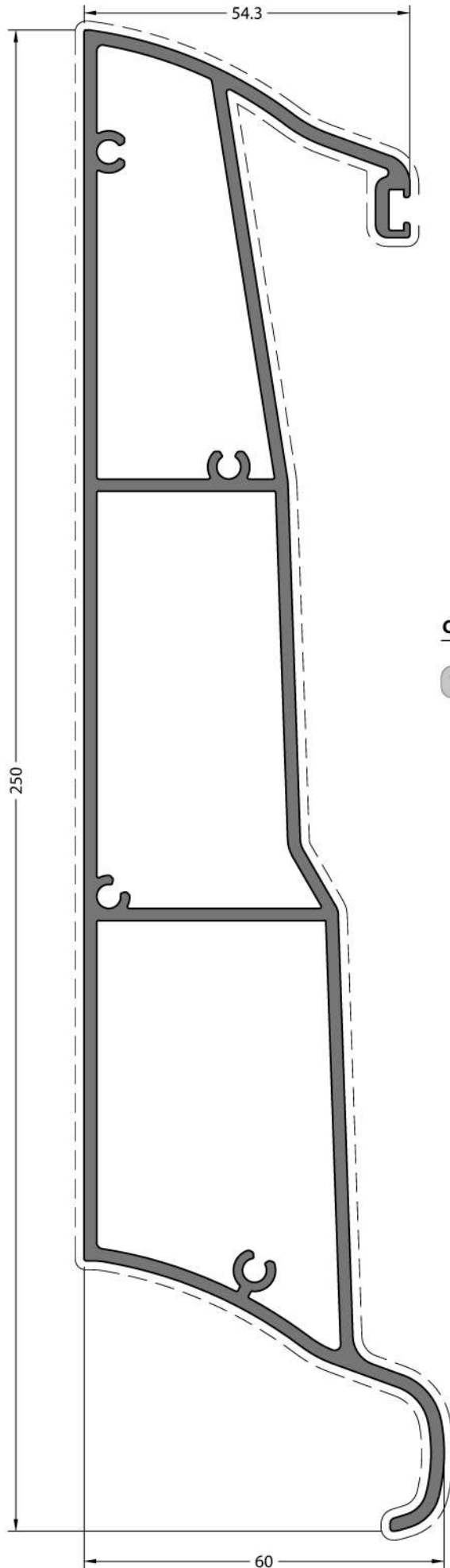
5.108

CODE / KOD

150BC-102-00

THEORETICAL WEIGHT
TEORİK AĞIRLIK (kg/m)

1.291



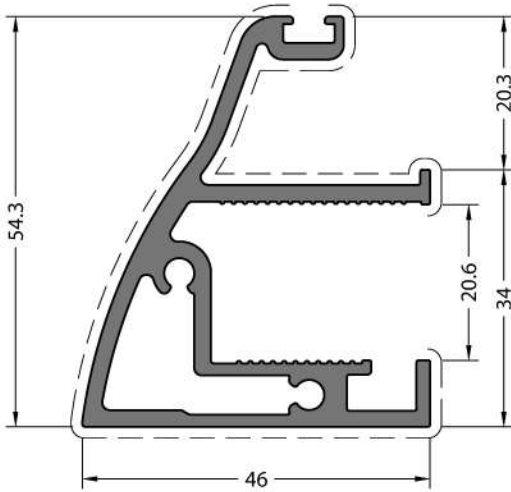
CODE / KOD

150BC-201-00

THEORETICAL WEIGHT

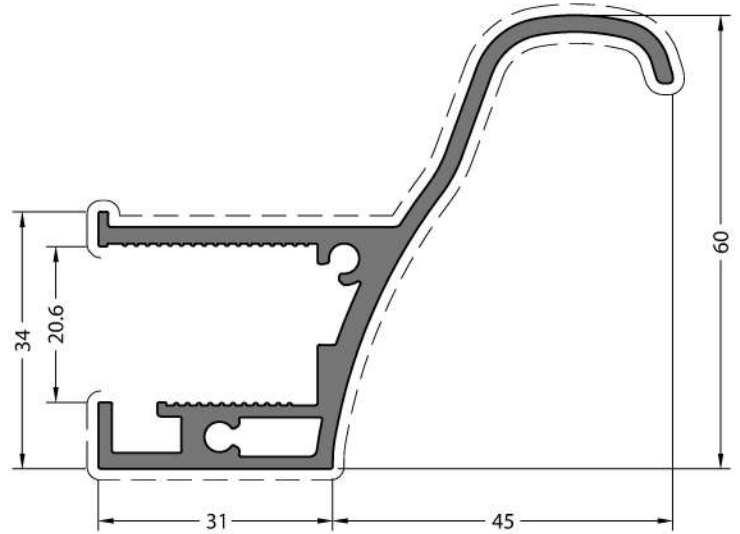
TEORİK AĞIRLIK (kg/m)

3.850



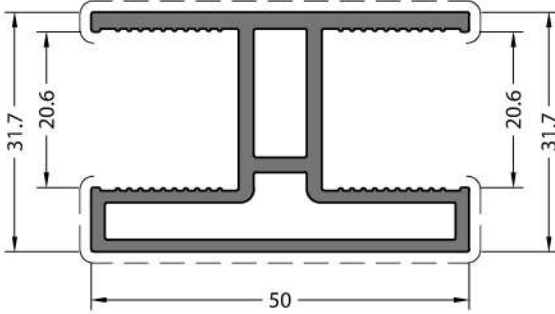
CODE / KOD
150BC-211-00

THEORETICAL WEIGHT
TEORİK AĞIRLIK (kg/m)
1.247



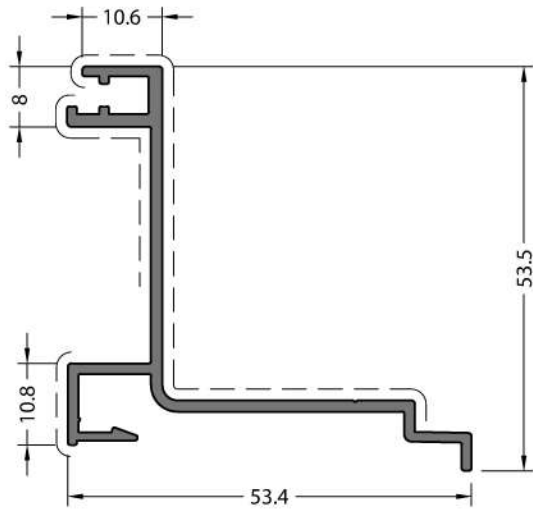
CODE / KOD
150BC-212-00

THEORETICAL WEIGHT
TEORİK AĞIRLIK (kg/m)
1.233



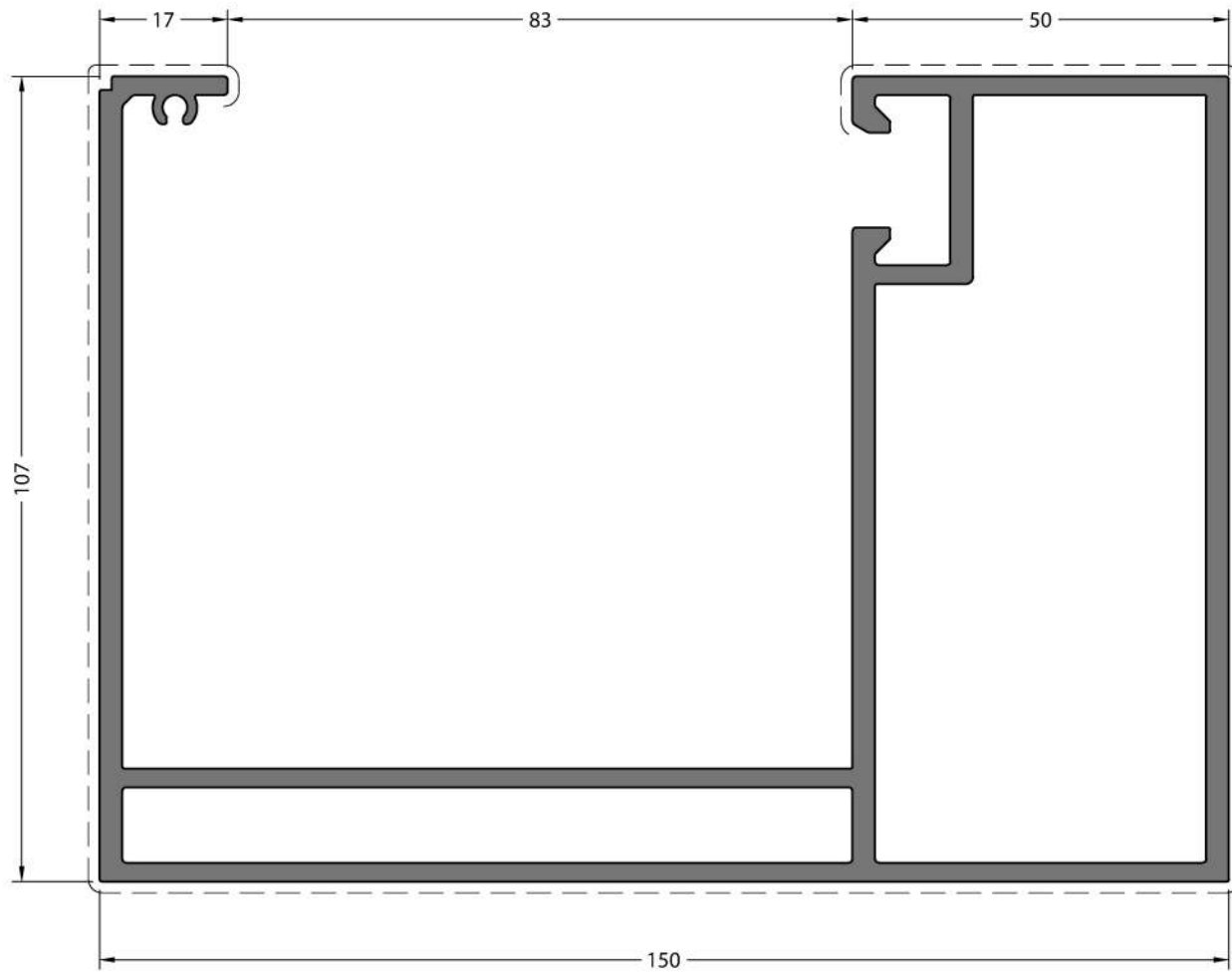
CODE / KOD
150BC-213-00

THEORETICAL WEIGHT
TEORİK AĞIRLIK (kg/m)
1.032



CODE / KOD
150BC-503-00

THEORETICAL WEIGHT
TEORİK AĞIRLIK (kg/m)
0.567



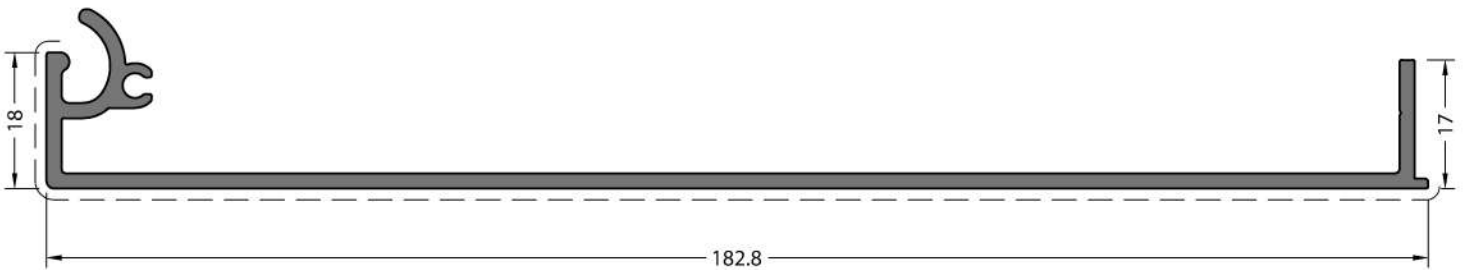
CODE / KOD

150BC-301-00

THEORETICAL WEIGHT

TEORİK AĞIRLIK (kg/m)

4.815



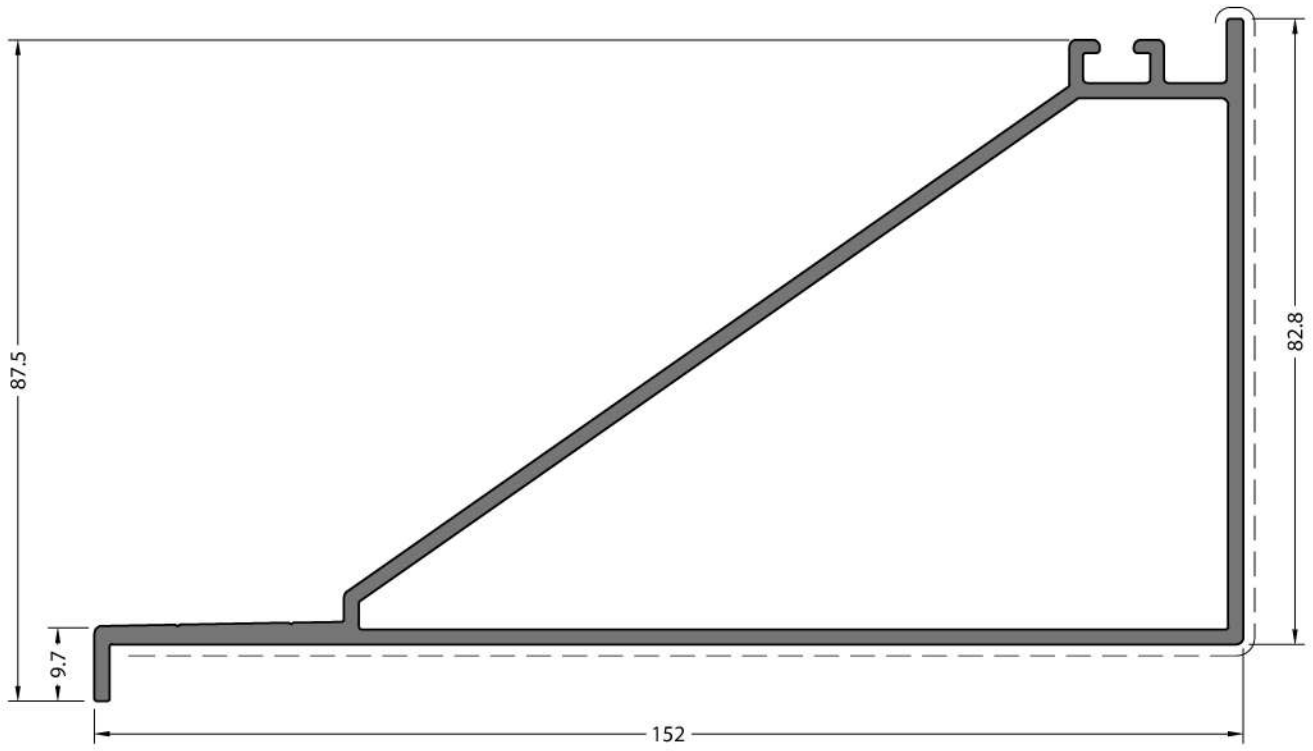
CODE / KOD

150BC-302-00

THEORETICAL WEIGHT

TEORİK AĞIRLIK (kg/m)

1.299



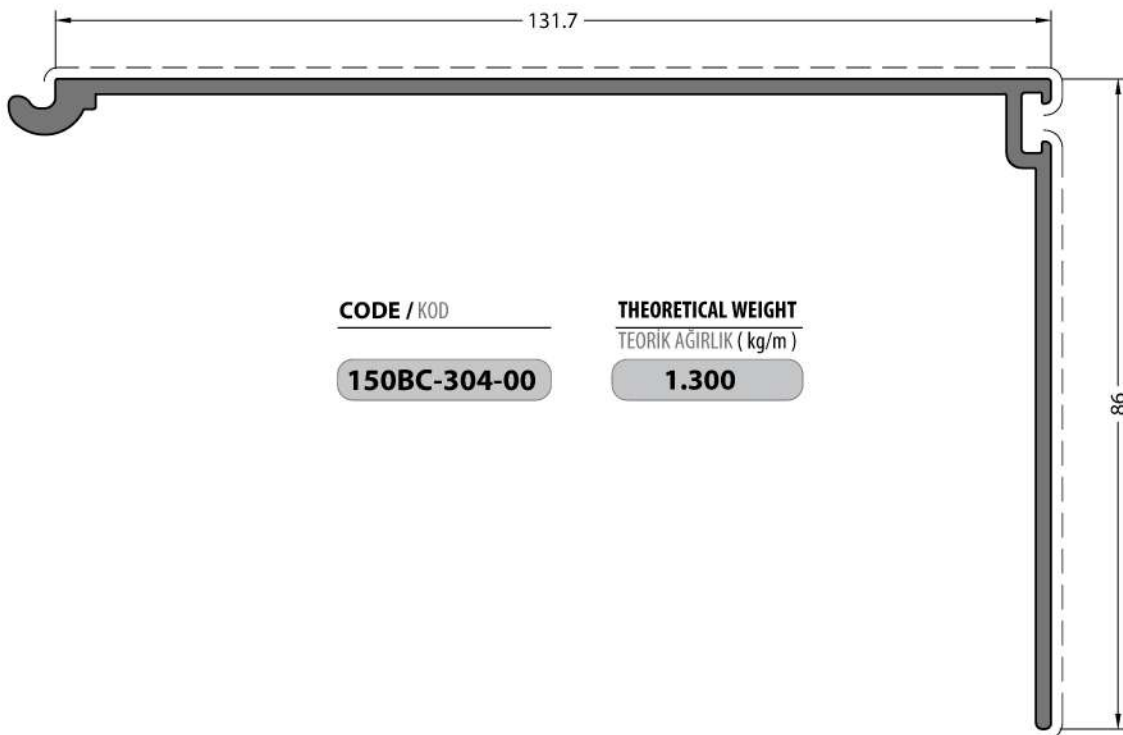
CODE / KOD

150BC-303-00

THEORETICAL WEIGHT

TEORİK AĞIRLIK (kg/m)

2.203



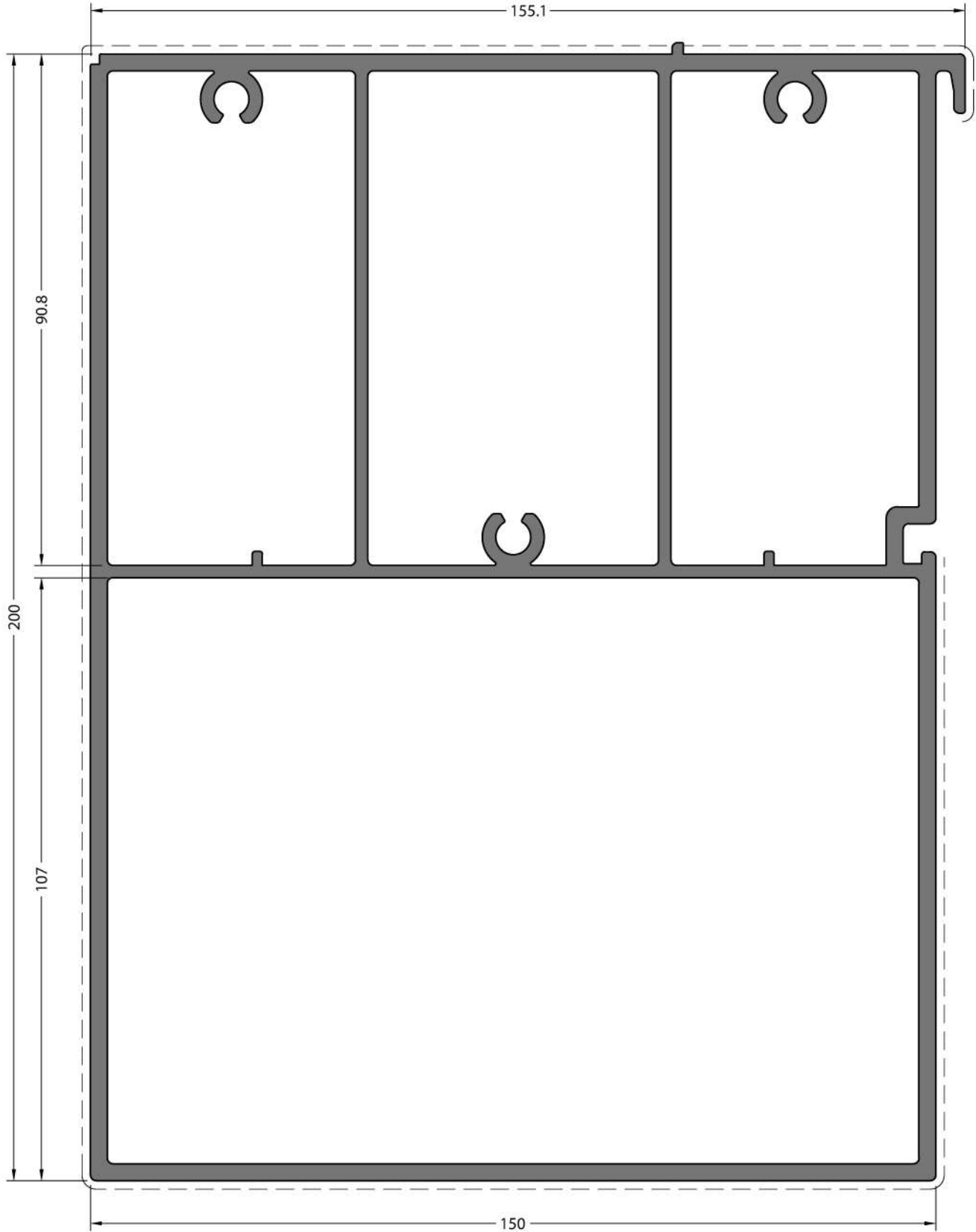
CODE / KOD

150BC-304-00

THEORETICAL WEIGHT

TEORİK AĞIRLIK (kg/m)

1.300



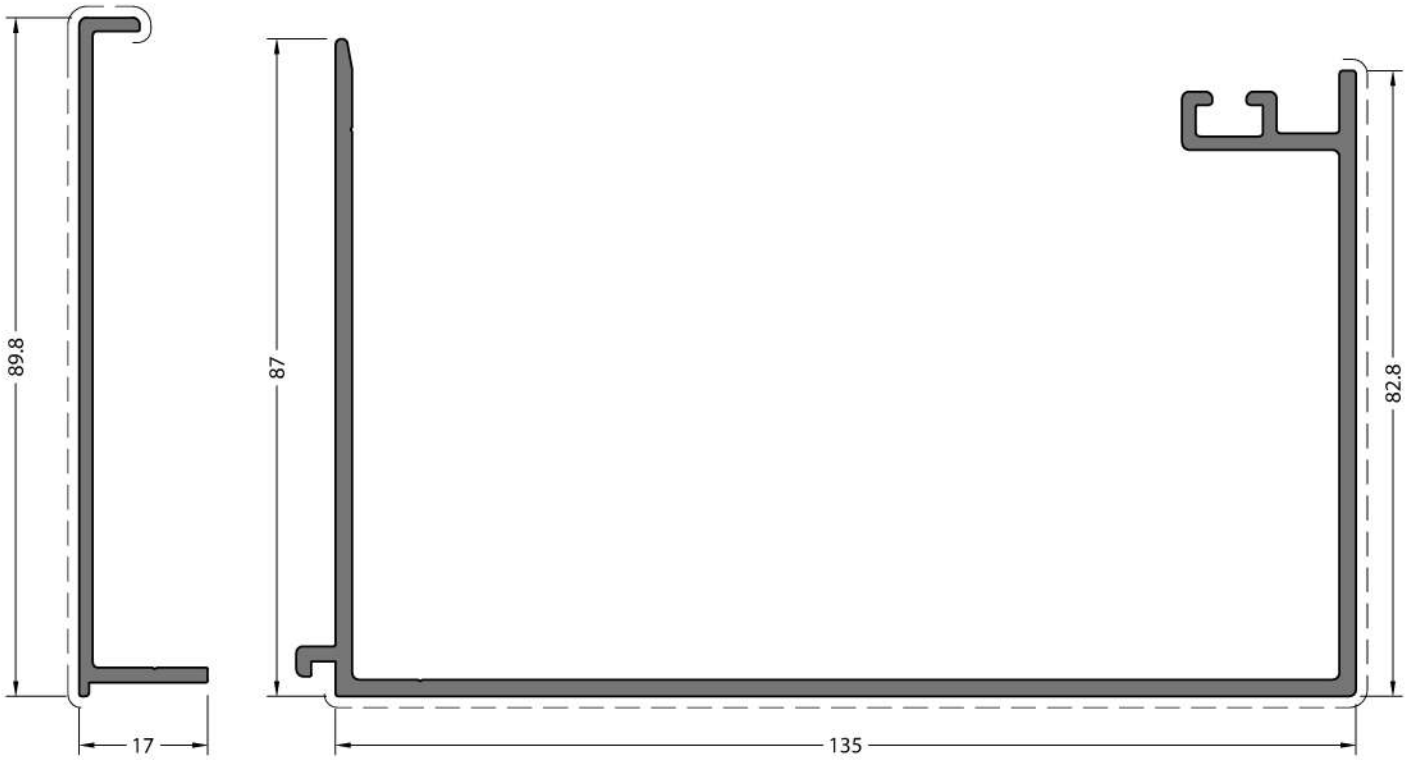
CODE / KOD

150BC-401-00

THEORETICAL WEIGHT

TEORİK AĞIRLIK (kg/m)

8.080



CODE / KOD

150BC-402-00

THEORETICAL WEIGHT
TEORİK AĞIRLIK (kg/m)

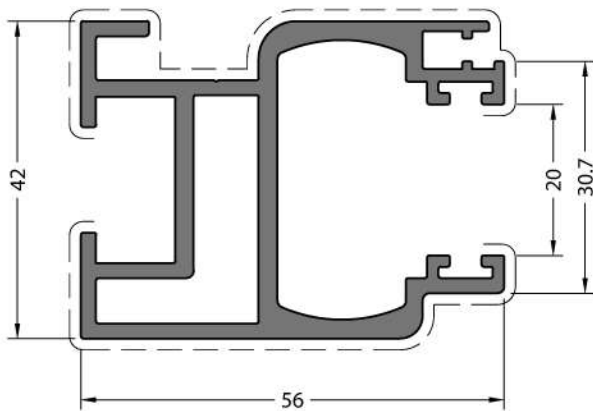
1.291

CODE / KOD

150BC-403-00

THEORETICAL WEIGHT
TEORİK AĞIRLIK (kg/m)

2.004

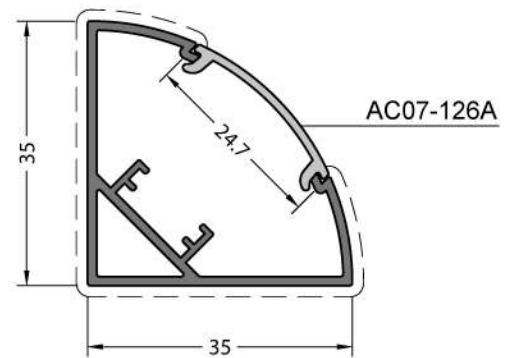


CODE / KOD

150BC-501-00

THEORETICAL WEIGHT
TEORİK AĞIRLIK (kg/m)

1.507

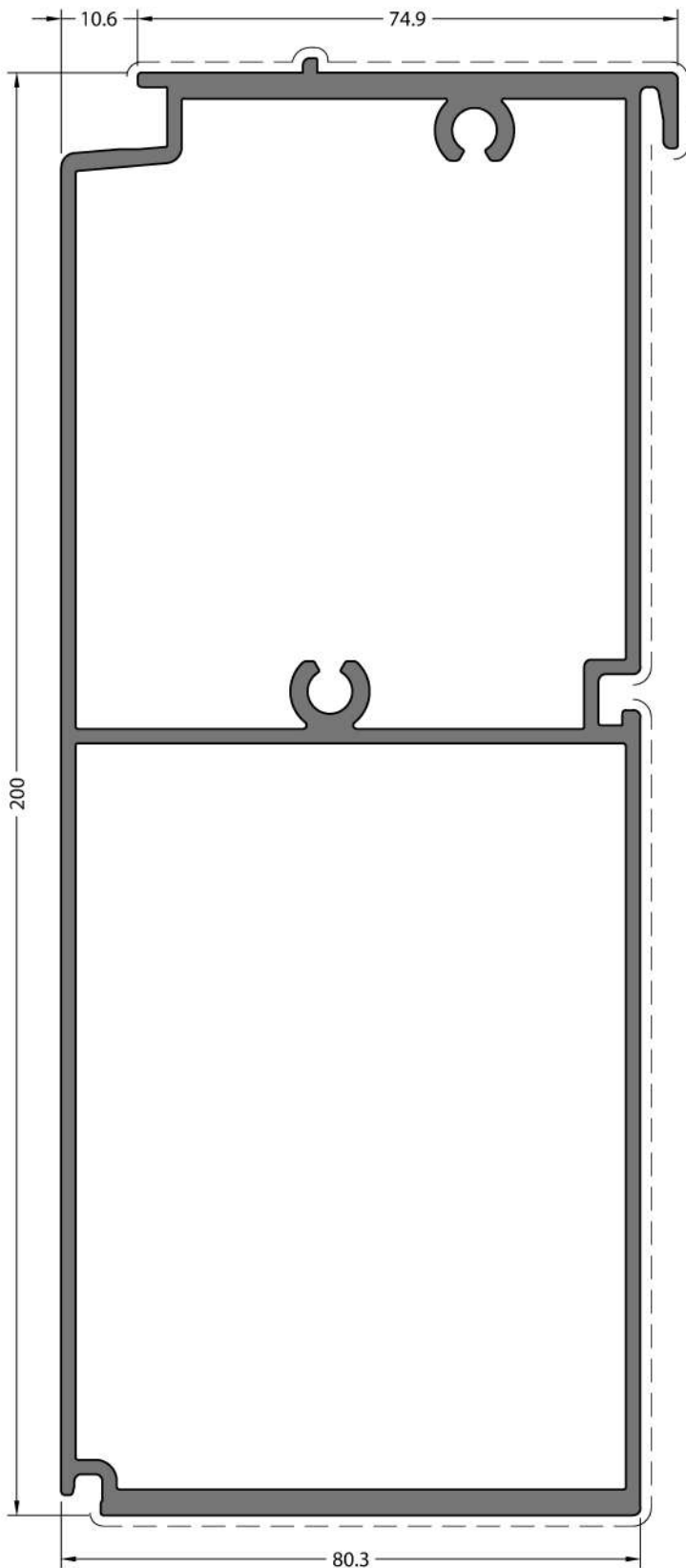


CODE / KOD

07-126-00

THEORETICAL WEIGHT
TEORİK AĞIRLIK (kg/m)

0.419

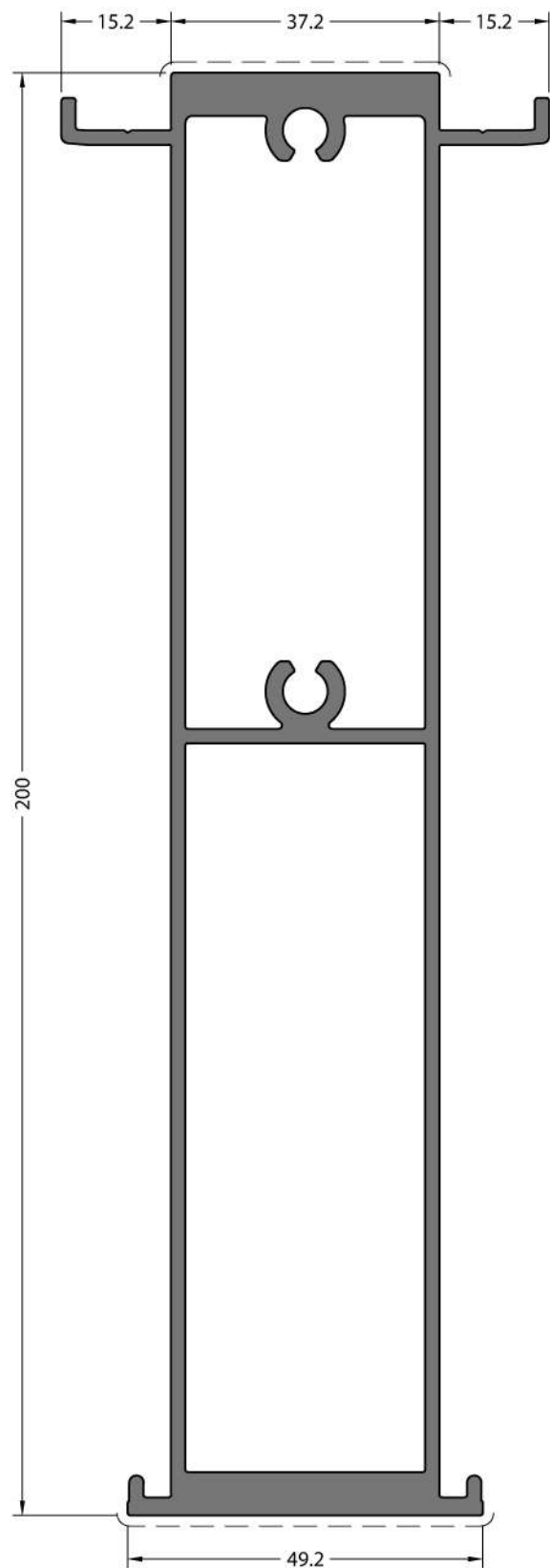


CODE / KOD

150BC-411-00

THEORETICAL WEIGHT
TEORİK AĞIRLIK (kg/m)

4.425

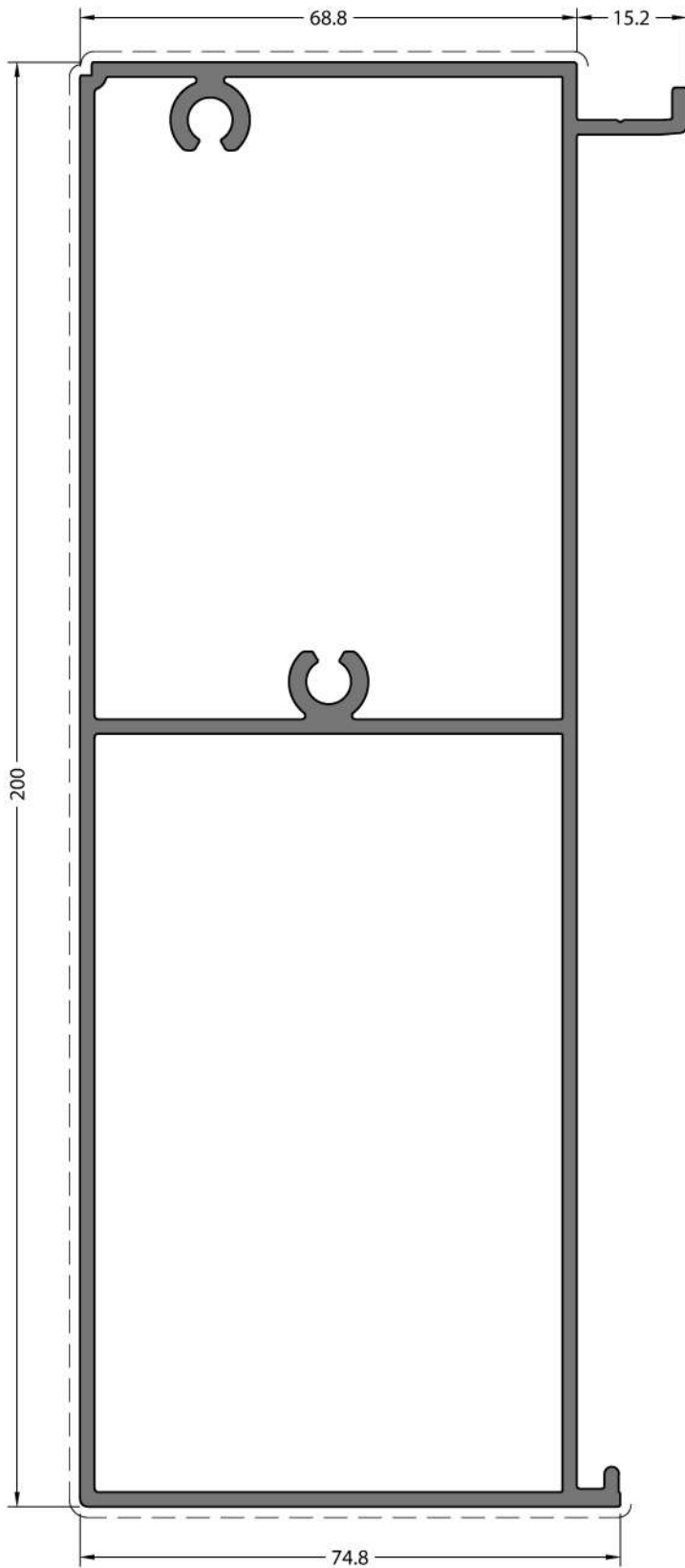


CODE / KOD

150BC-413-00

THEORETICAL WEIGHT
TEORİK AĞIRLIK (kg/m)

3.957



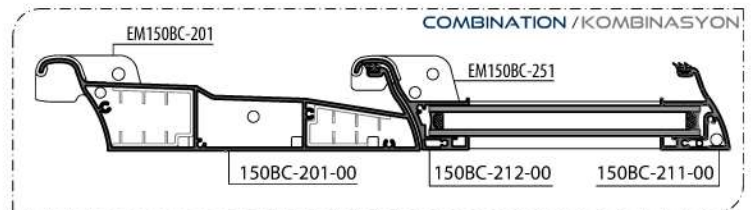
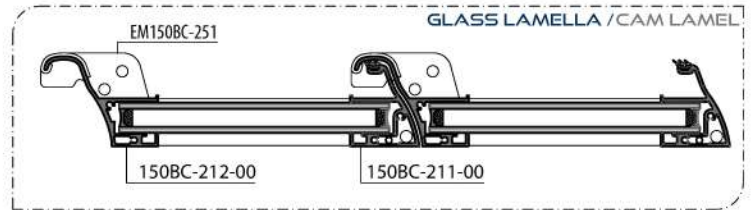
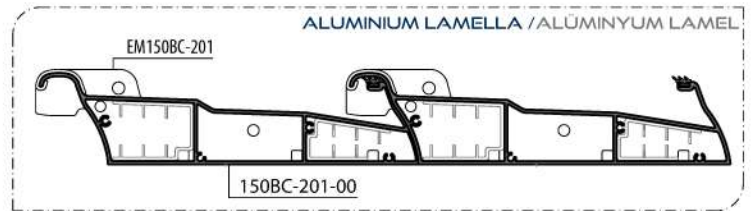
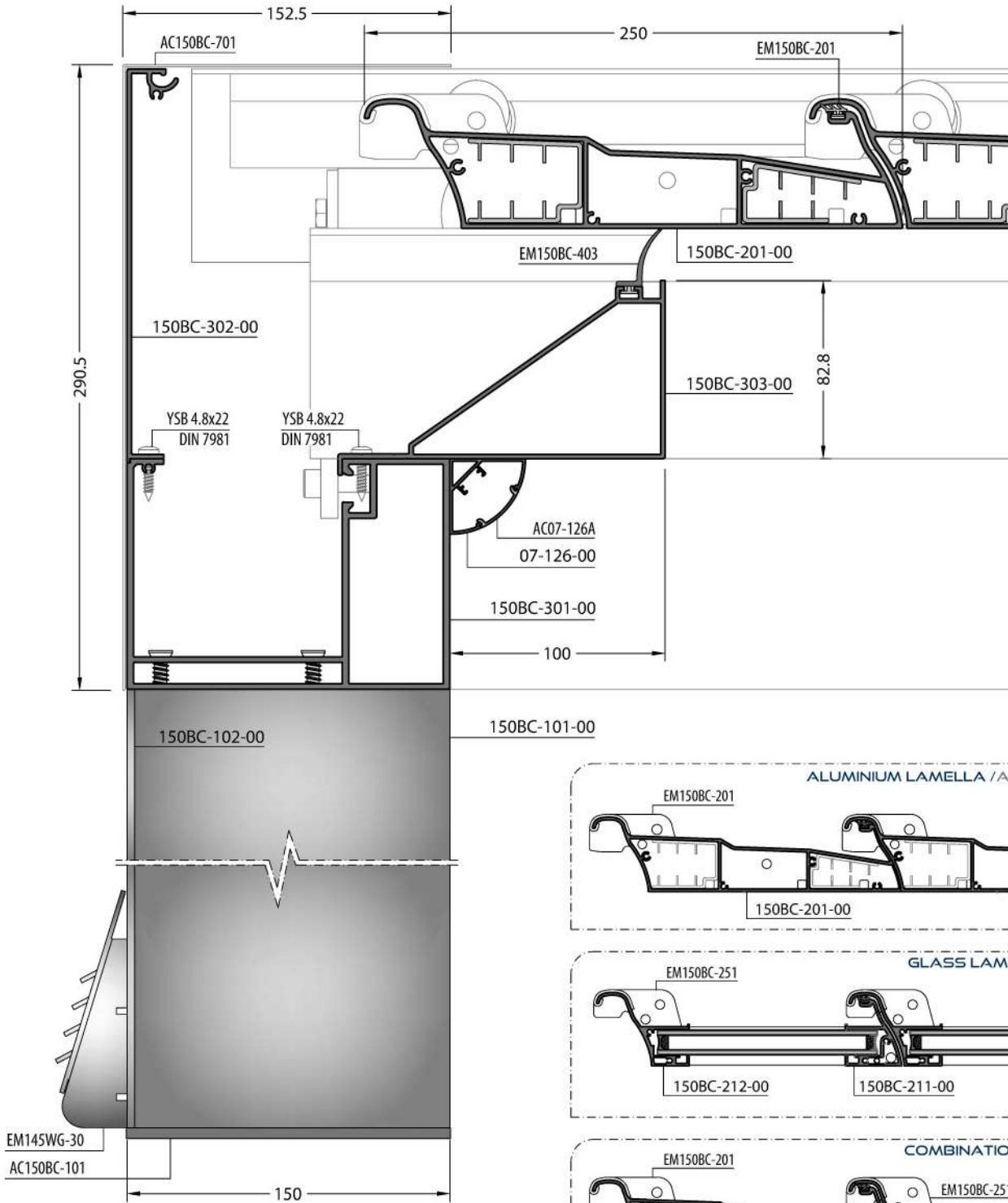
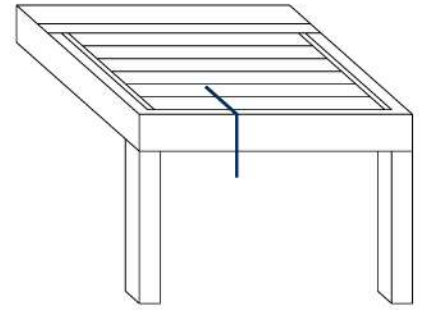
CODE / KOD

150BC-412-00

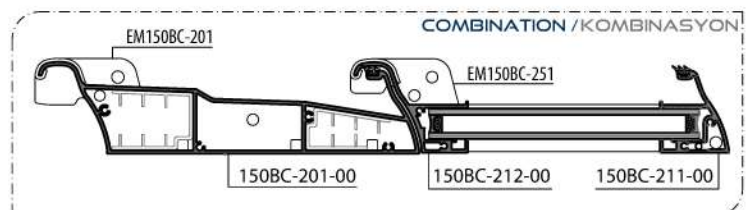
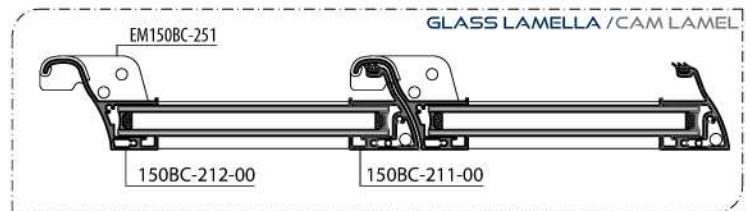
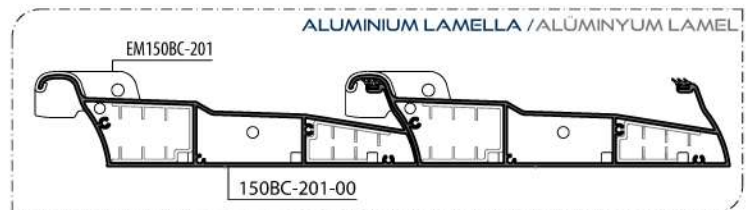
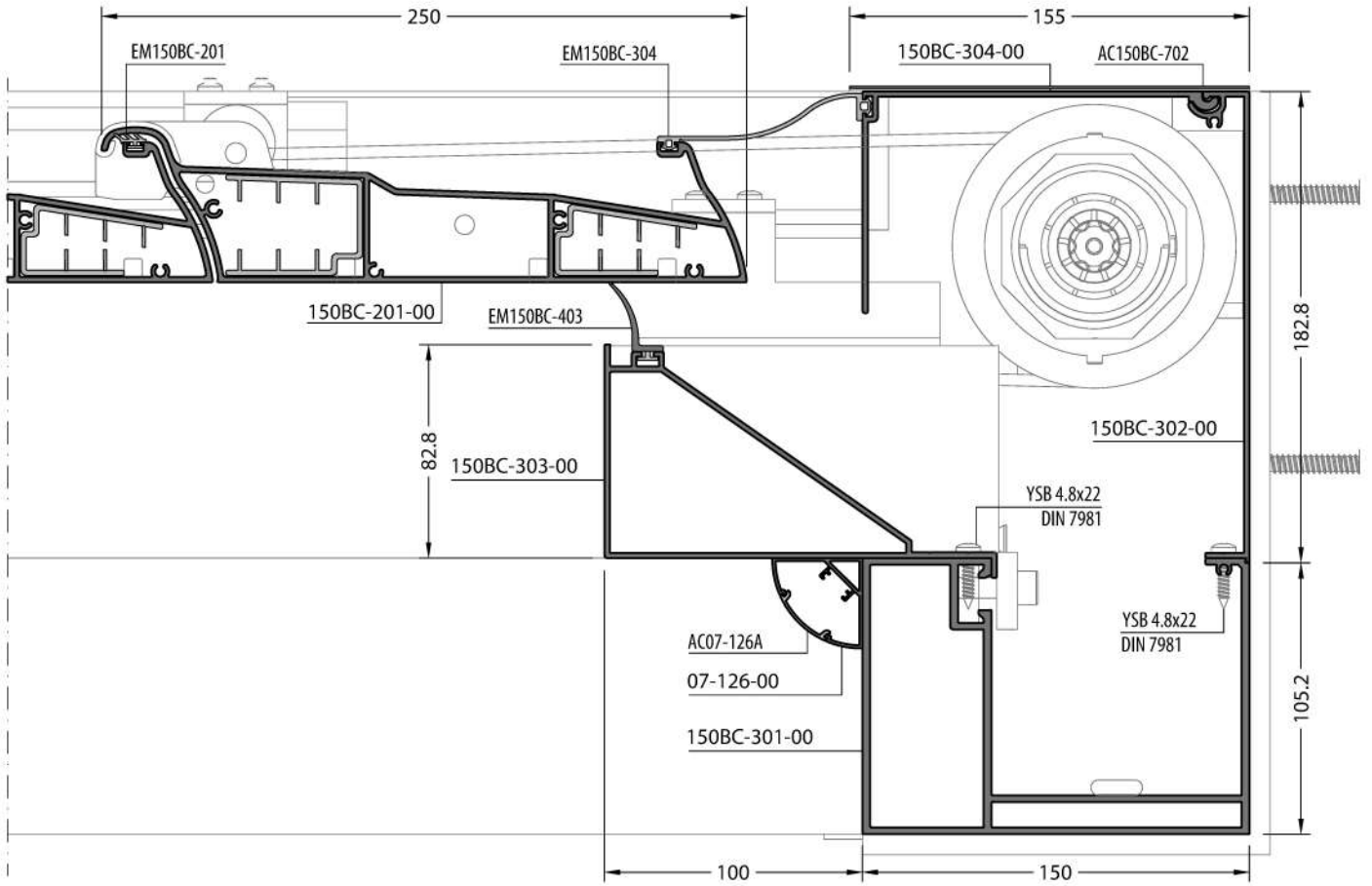
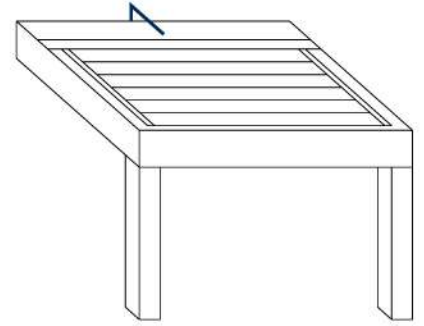
THEORETICAL WEIGHT
TEORİK AĞIRLIK (kg/m)

3.666

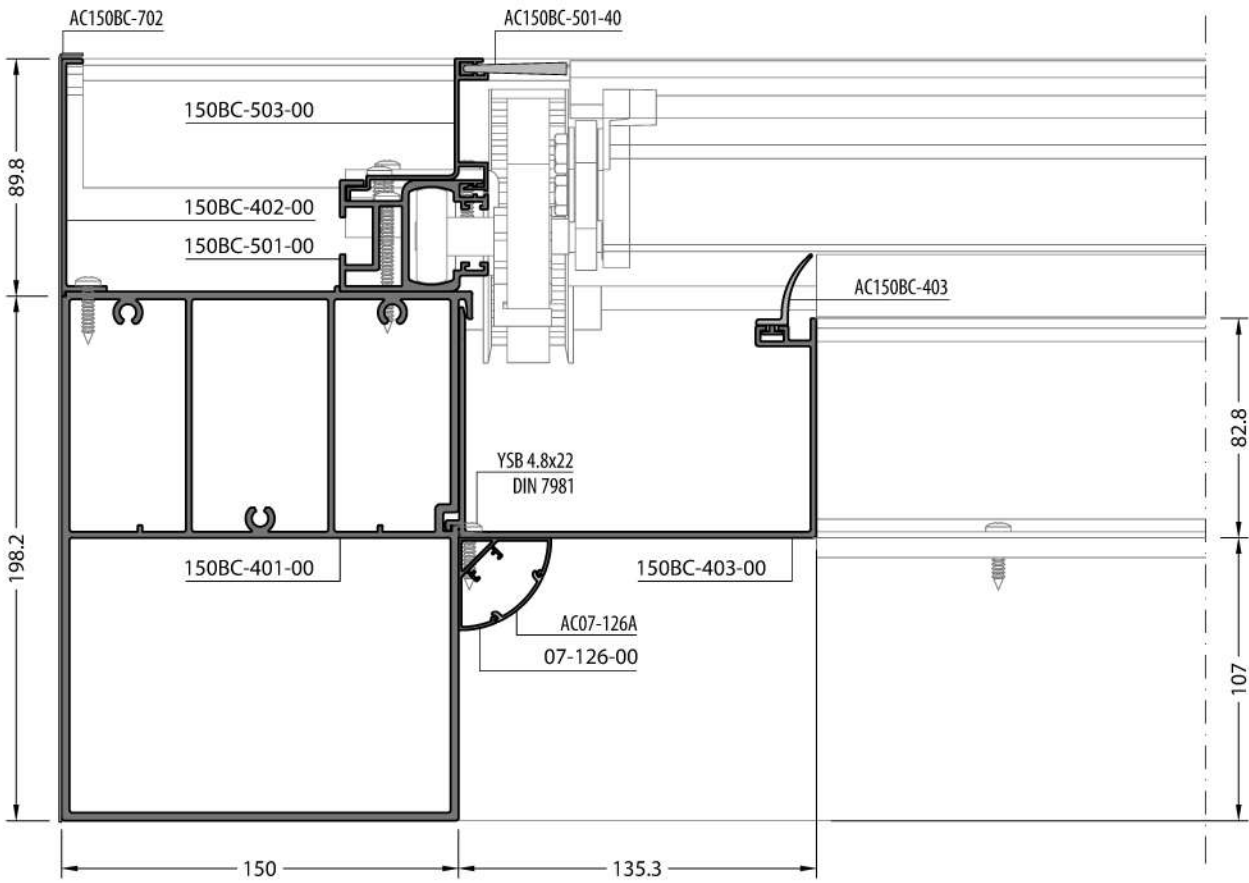
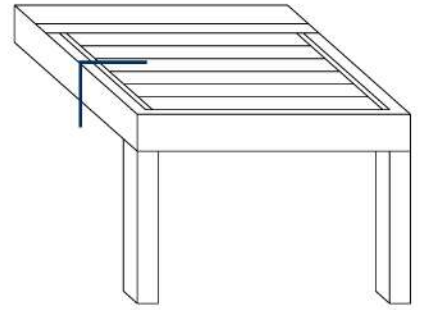
DETAILS
DETAYLAR

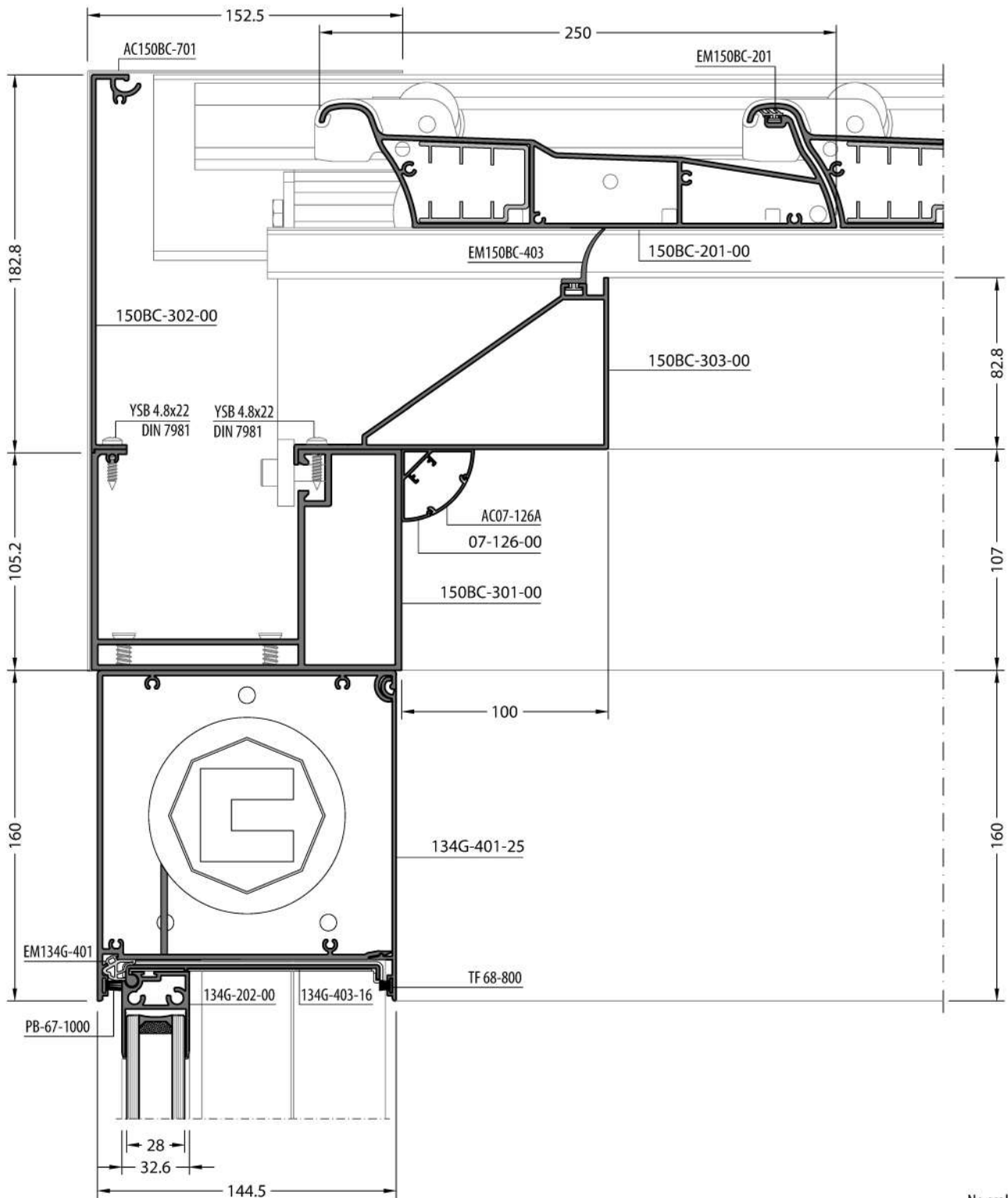
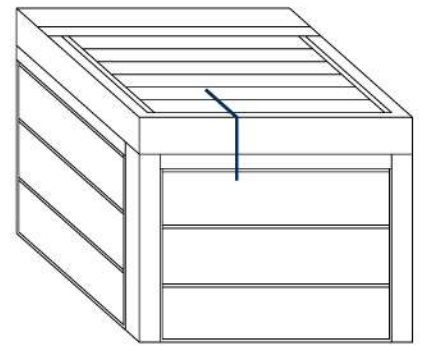


No scaled / Ölçeksiz

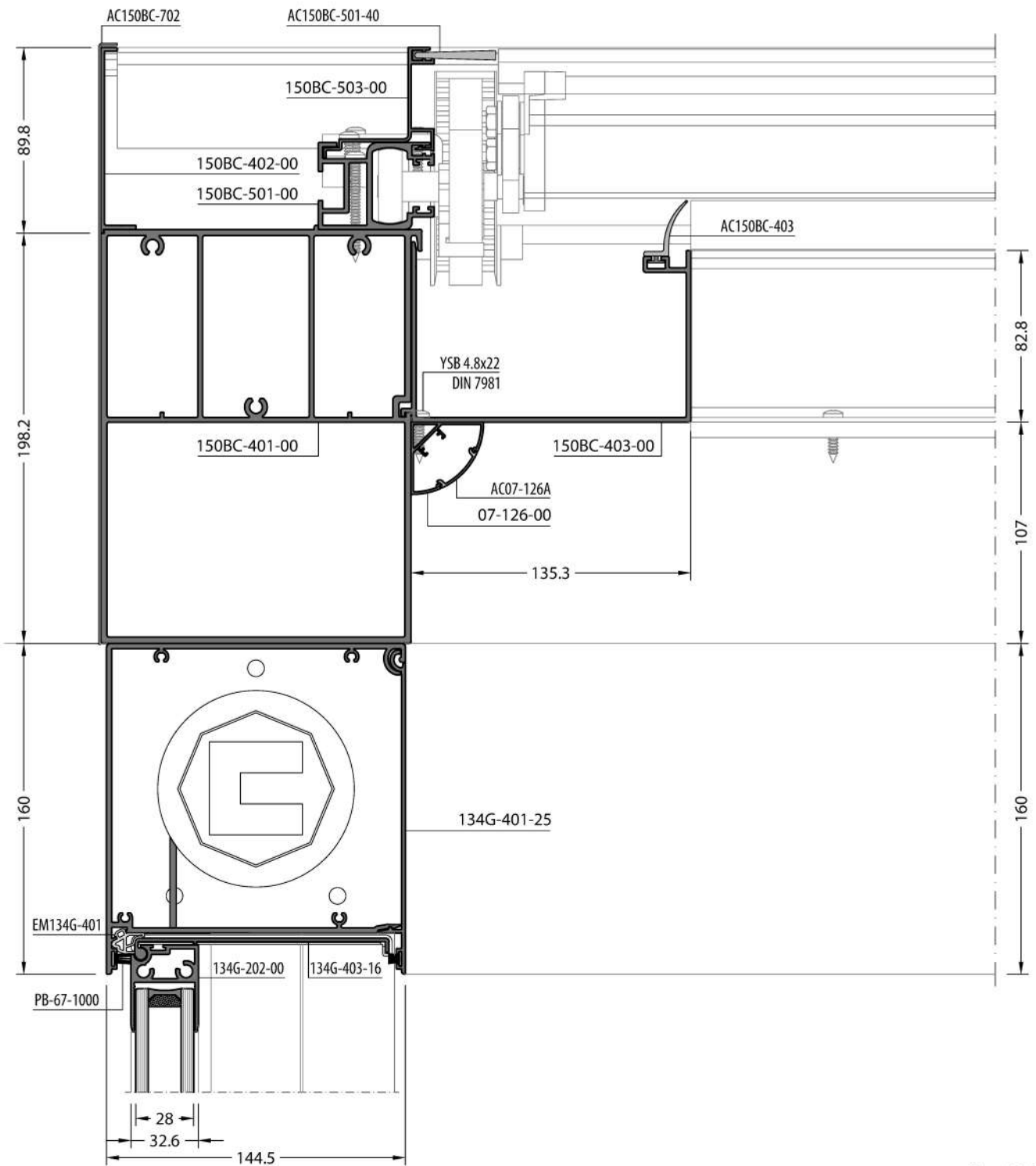
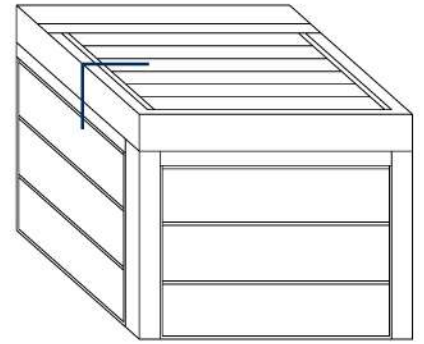


No scaled / Ölçeksiz

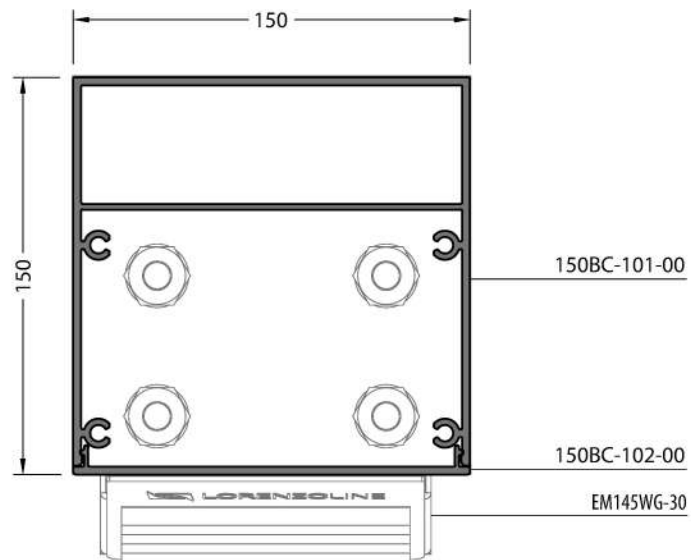
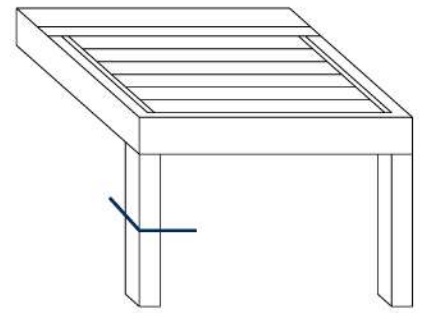


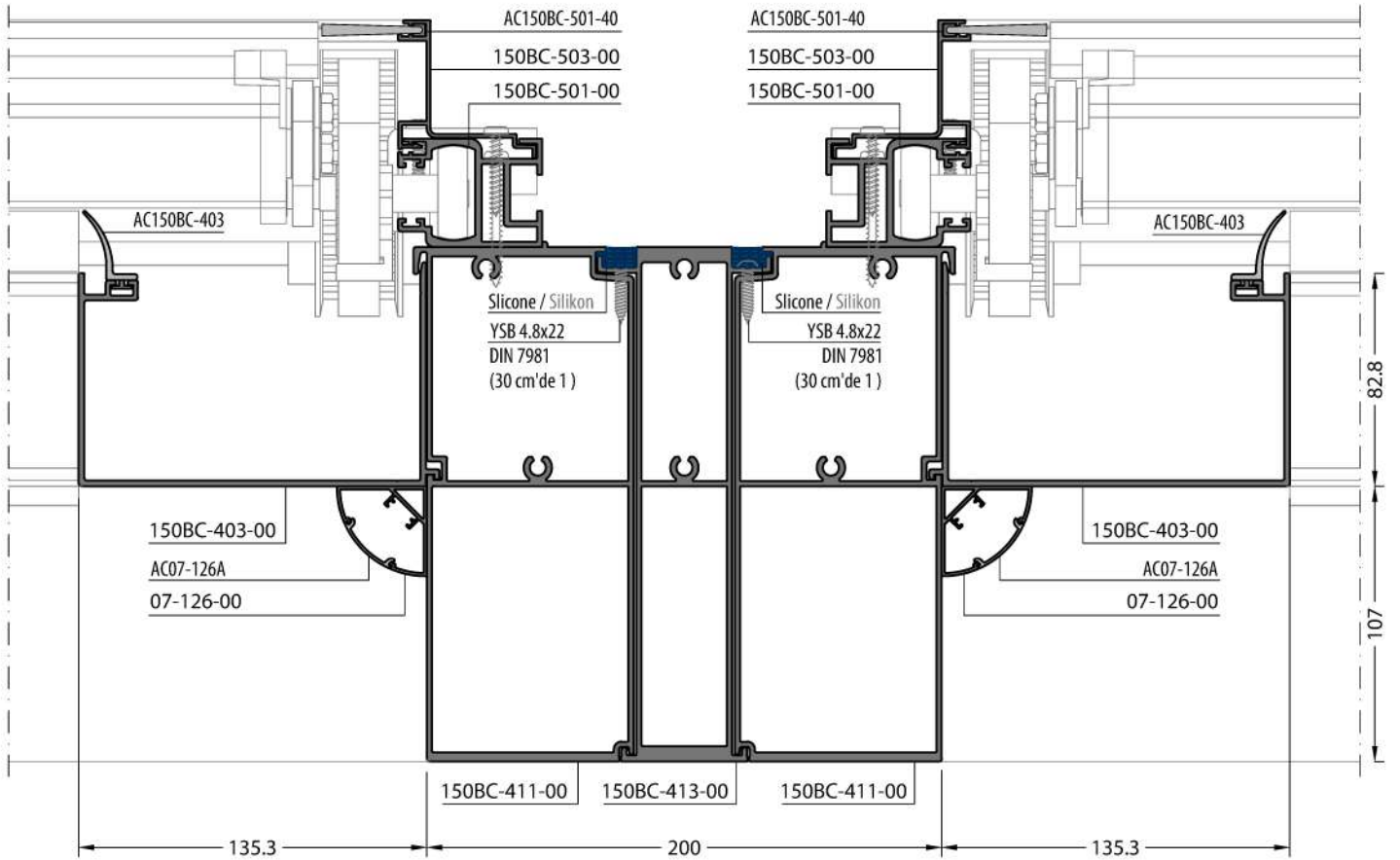
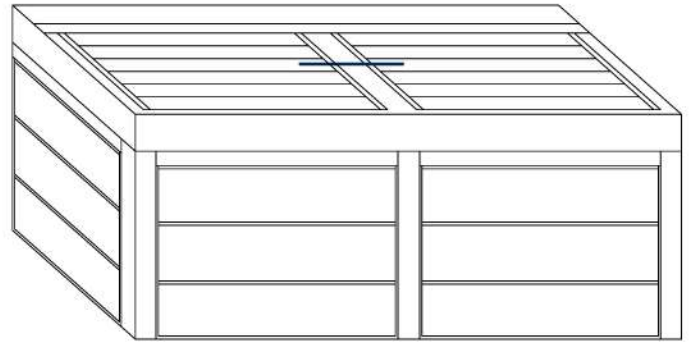


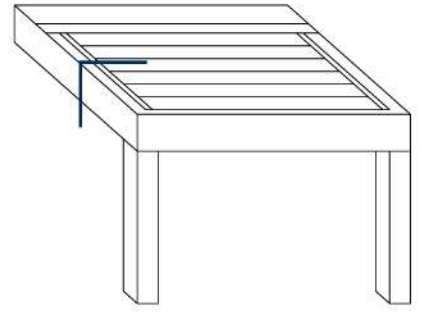
No scaled / Ölçeksiz



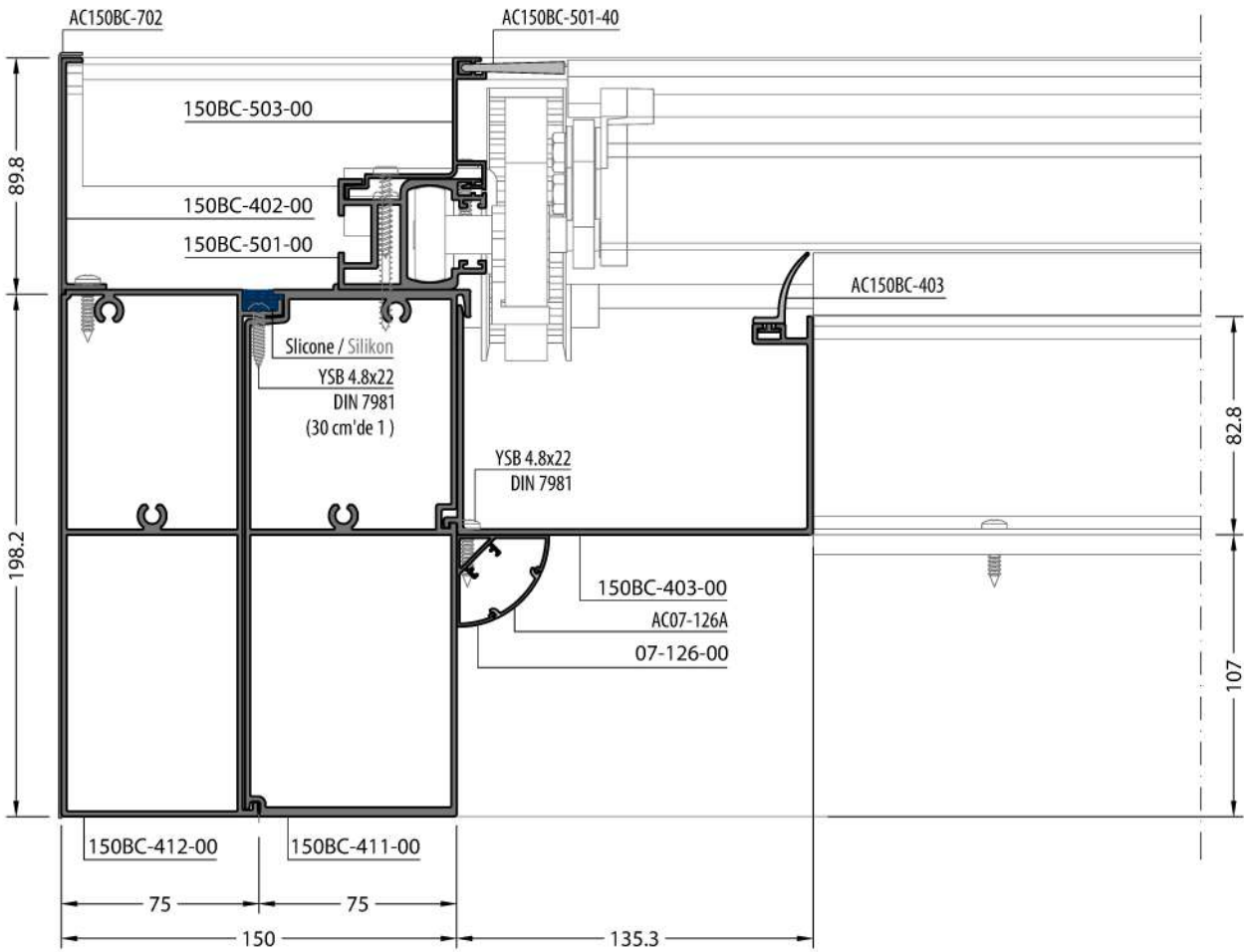
No scaled / Ölçeksiz












150BC-401-00
ALTERNATIVE PROFILE
PROFİLİN ALTERNATİFİ



ACCESSORIES
AKSESUARLAR








**ROLLING ROOF
ACCESSORIES / AKSESUARLAR**




PACKAGE CODE PAKET KODU	PICTURE / RESİM	DESCRIPTION AÇIKLAMA	PACKAGE CODE PAKET KODU	PICTURE / RESİM	DESCRIPTION AÇIKLAMA
AC150BC-201		LAMELLA CAP SIDE SET LAMEL YAN KAPAK TAKIMI	AC150BC-402		SPECIAL MAIN RAIL BRACKET FOR TWO MODULUS İKİ MODÜL İÇİN ÖZEL ANA RAY MONTAJ PLAKASI
AC150BC-251		GLASS LAMELLA CAP SIDE SET CAM LAMEL YAN KAPAK TAKIMI	AC150BC-101		POST BRACKET KOLON ANKRAJI
AC150BC-202		PULLEY RULMAN	AC150BC-502		TRIGER TENSION SET TRIGER GERGİ TAKIMI
AC150BC-211		FRICTION HINGE START MAKAS BAŞLANGIÇ	AC150BC-550		LAMELLA LOCK SET LAMEL KİTLEME BRAKETİ
AC150BC-212		FRICTION HINGE MIDDLE MAKAS ORTA	AC150BC-611		MIDDLE STEEL BRACKET ORTA ÇELİK BRAKET
AC150BC-213		FRICTION HINGE END MAKAS SON	AC150BC-261		LAMELLA SUPPORT WEDGE LAMEL DESTEK TAKOZU
AC150BC-401		MAIN RAIL BRACKET ANA RAY MONTAJ PLAKASI	AC150BC-510		TRIGER CONNECTION PART TRIGER BİRLEŞİM ELEMANI
AC150BC-411		ALTERNATIVE MAIN RAIL BRACKET ALTERNATİF ANA RAY MONTAJ PLAKASI	AC150BC-570		WALL BRACKET DUVAR ANKRAJI

**ROLLING ROOF
ACCESSORIES / AKSESUARLAR**

PACKAGE CODE PAKET KODU	PICTURE / RESİM	DESCRIPTION AÇIKLAMA	PACKAGE CODE PAKET KODU	PICTURE / RESİM	DESCRIPTION AÇIKLAMA
AC150BC-602		80x160x6mm STEEL PROFILE ÇELİK PROFİL	AC150BC-583		OCTAGONAL TUBE SEKİZGEN BORU
AC150BC-501-40		BRUSH FİRÇA	AC150BC-305		OCTAGONAL PIPE SUPPORT ITEM SEKİZGEN BORU DESTEK ELEMANI
AC07-126A		LED PROFILE DIFFUSER LED PROFİL DİFÜZÖRÜ	AC150BC-581		TUBULAR MOTOR WITH RECIEVER ALICILI TÜP MOTOR
AC07-126B		LED PROFILE CORNER LED PROFİL KÖŞE ELEMANI	AC150BC-584		TUBE HEAD BORU BAŞI
EM145WG-20/D		GUTTER FILTER OLUK SÜZGEÇİ	AC150BC-584		MOTOR TRIGGER GEAR MOTOR TRIGGER DİŞLİSİ
EM145WG-30		POST DRAINAGE CAP KOLON TAHLİYE KAPAĞI	AC150BC-500		TRIGGER BELT TRIGGER KAYIŞ T10
AC150BC-301		HOLE TEMPLATE DELİK ŞABLONU (150BC-301-00)	AC150BC-593		INSULATED LED (Daylight) İZOLELİ LED (Gün Işığı)
AC150BC-580		TUBULAR MOTOR BRACKET TÜP MOTOR ANKRAJ	AC150BC-594		LED TRANSFORMER LED TRAFOSU

**ROLLING ROOF
ACCESSORIES / AKSESUARLAR**

PACKAGE CODE PAKET KODU	PICTURE / RESİM	DESCRIPTION AÇIKLAMA
AC150BC-403		SMALL GUTTER SHEET KÜÇÜK OLUK LEVHA
AC150BC-701		CORNER COVER SHEET SET KÖŞE KAPAMA LEVHA
AC150BC-702		BACK COVER SHEET SET ARKA KAPAMA LEVHA
AC150BC-703		CENTER CONNECTION SHEET ORTA BİRLEŞİM LEVHA
EM150BC-201		LAMELLA GASKET LAMEL FİTİLİ
EM150BC-304		MOTOR LAMELLA GASKET MOTOR LAMEL FİTİLİ
EM150BC-403		ISOLATION GASKET İZOLASYON FİTİLİ

PACKAGE CODE PAKET KODU	PICTURE / RESİM	DESCRIPTION AÇIKLAMA
HM150BC-201-A		EPS EPS DOLGU Size / Ölçü 2 Meter / Metre
HM150BC-201-B		EPS EPS DOLGU Size / Ölçü 2 Meter / Metre
HM150BC-201-C		EPS EPS DOLGU Size / Ölçü 2 Meter / Metre

