

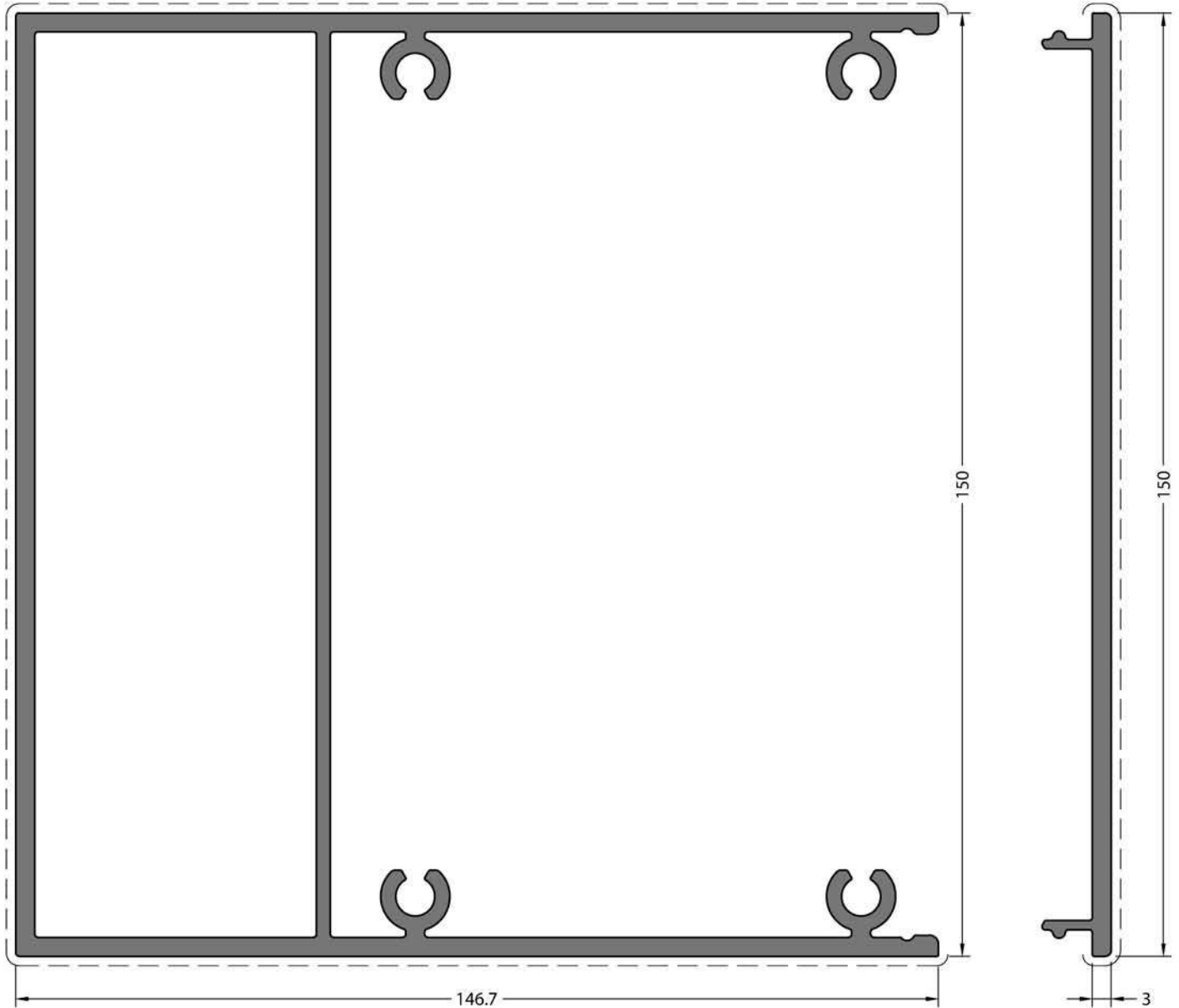


 **LORENZOLINE**

**150BC**

Rolling Roof System

PROFILES  
PROFILLER



**CODE / KOD**

**150BC-101-00**

**THEORETICAL WEIGHT**  
TEORİK AĞIRLIK ( kg/m )

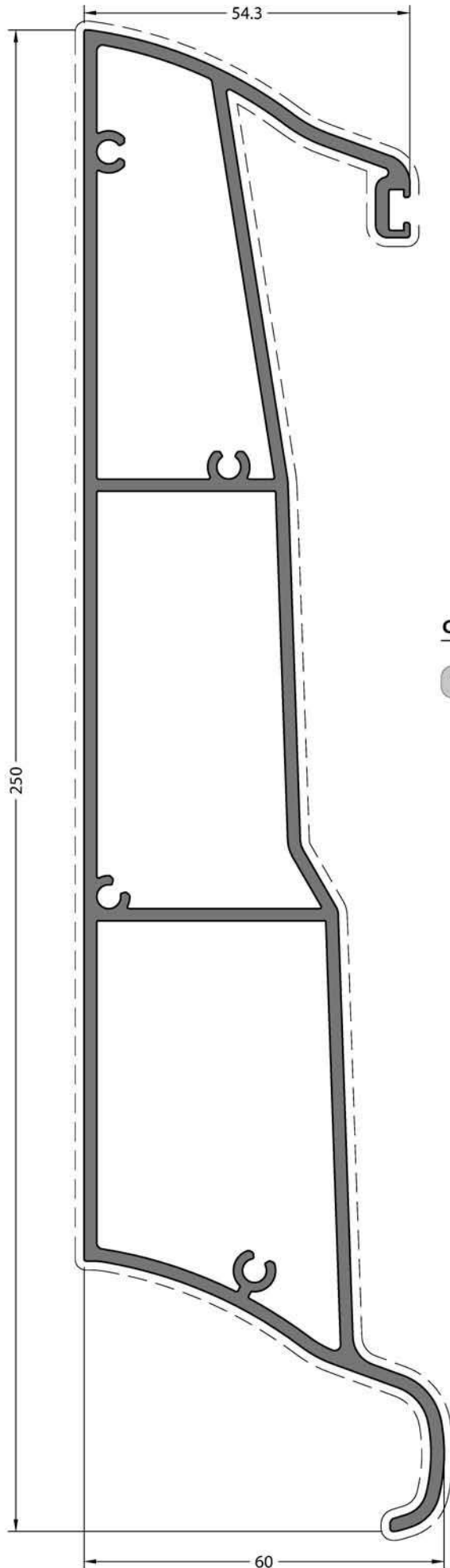
**5.108**

**CODE / KOD**

**150BC-102-00**

**THEORETICAL WEIGHT**  
TEORİK AĞIRLIK ( kg/m )

**1.291**



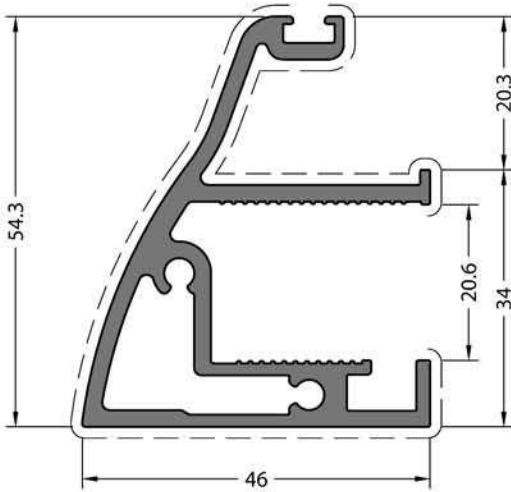
CODE / KOD

150BC-201-00

THEORETICAL WEIGHT

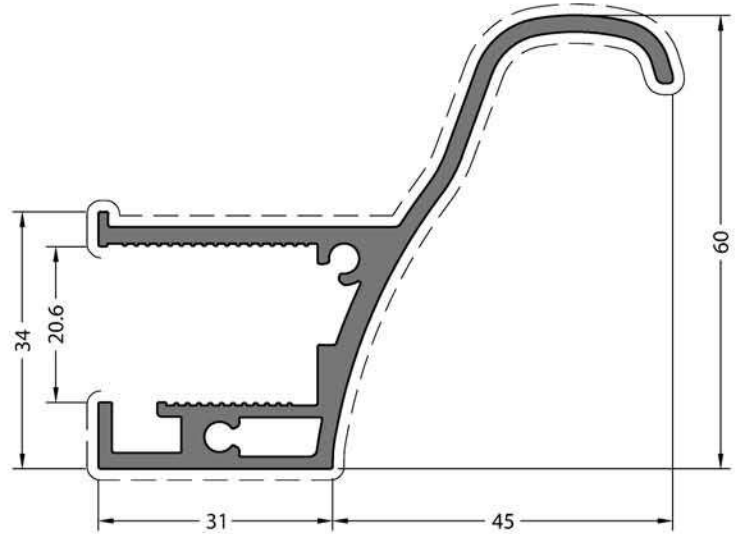
TEORİK AĞIRLIK (kg/m)

3.850



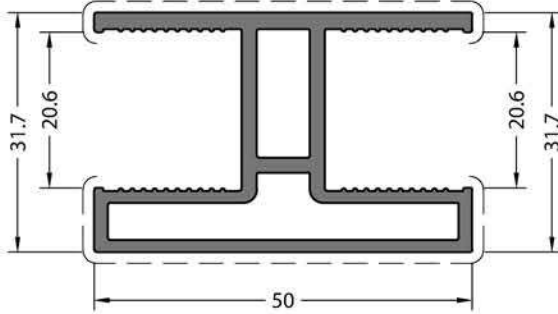
**CODE / KOD**  
**150BC-211-00**

**THEORETICAL WEIGHT**  
TEORİK AĞIRLIK ( kg/m )  
**1.247**



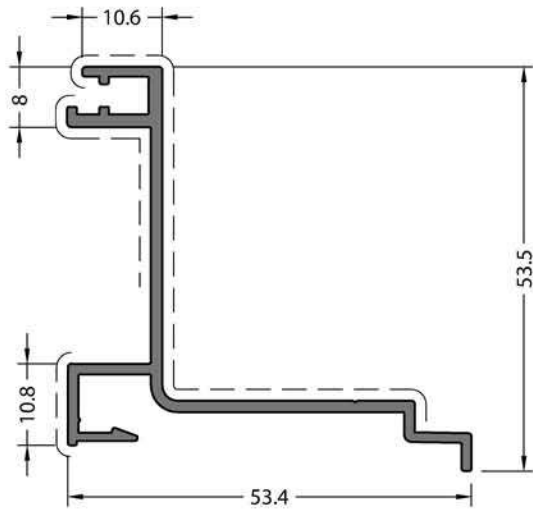
**CODE / KOD**  
**150BC-212-00**

**THEORETICAL WEIGHT**  
TEORİK AĞIRLIK ( kg/m )  
**1.233**



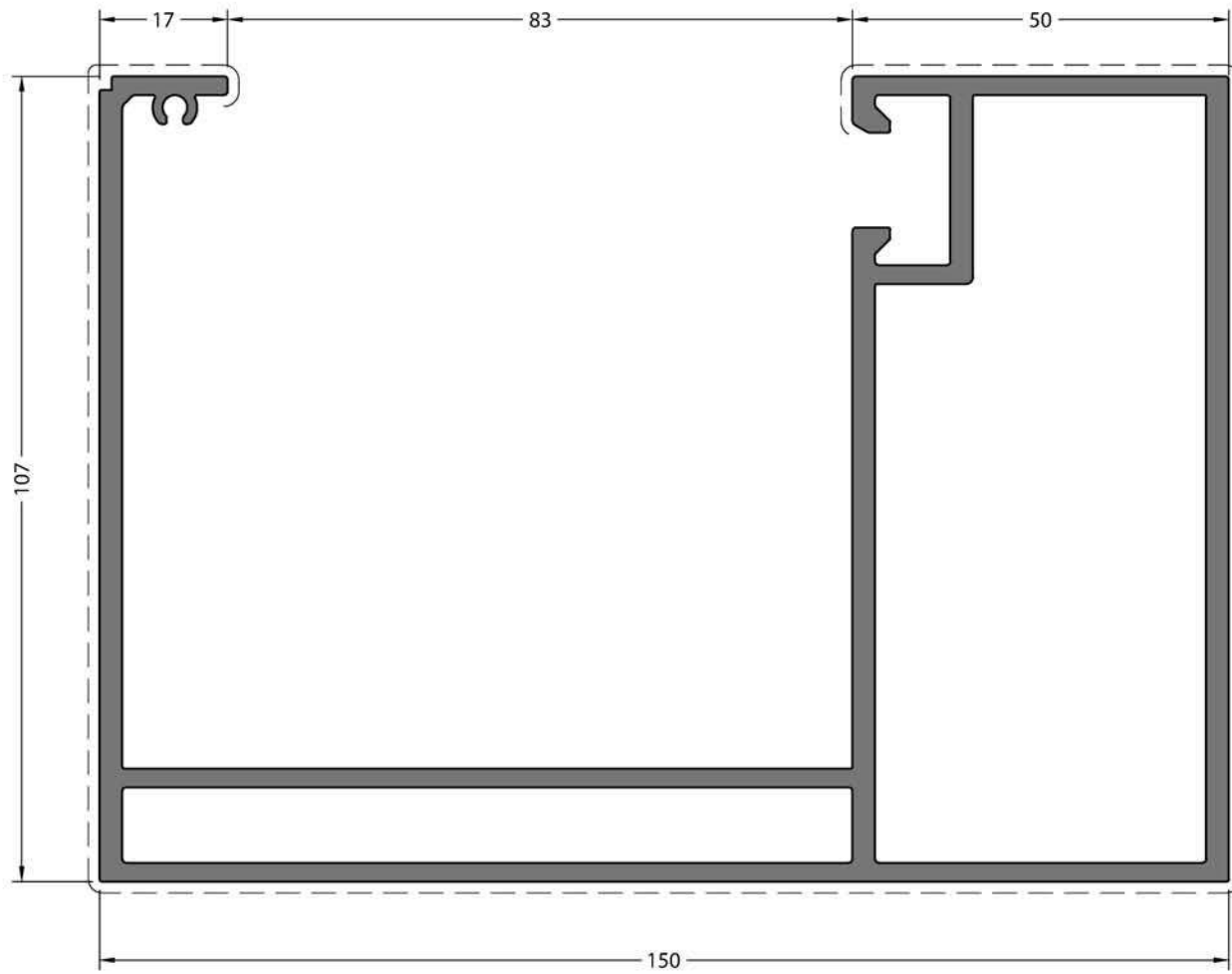
**CODE / KOD**  
**150BC-213-00**

**THEORETICAL WEIGHT**  
TEORİK AĞIRLIK ( kg/m )  
**1.032**



**CODE / KOD**  
**150BC-503-00**

**THEORETICAL WEIGHT**  
TEORİK AĞIRLIK ( kg/m )  
**0.567**



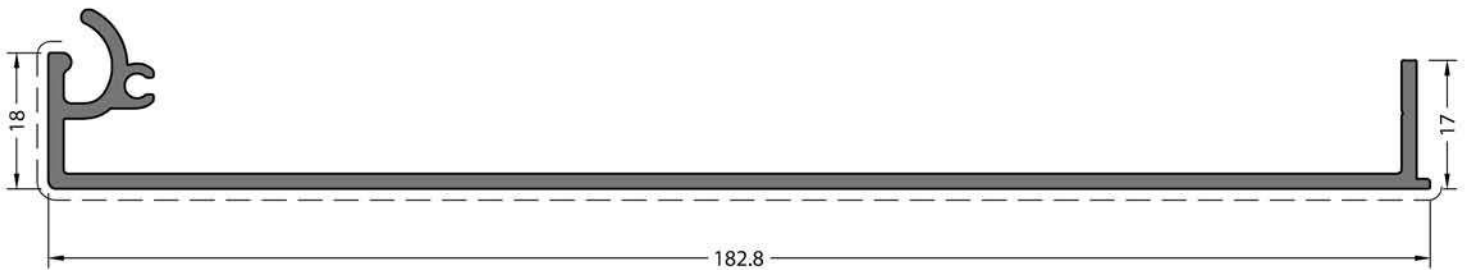
**CODE / KOD**

**150BC-301-00**

**THEORETICAL WEIGHT**

TEORİK AĞIRLIK (kg/m)

**4.815**



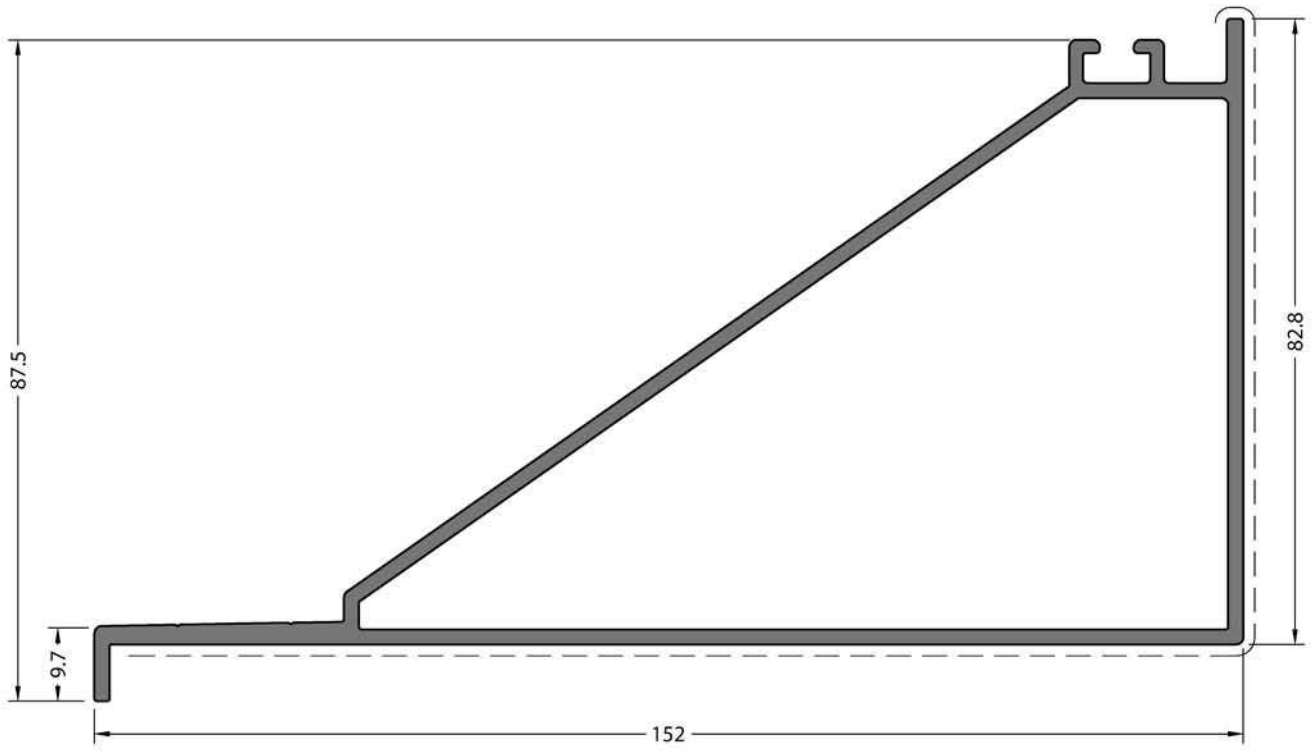
**CODE / KOD**

**150BC-302-00**

**THEORETICAL WEIGHT**

TEORİK AĞIRLIK (kg/m)

**1.299**



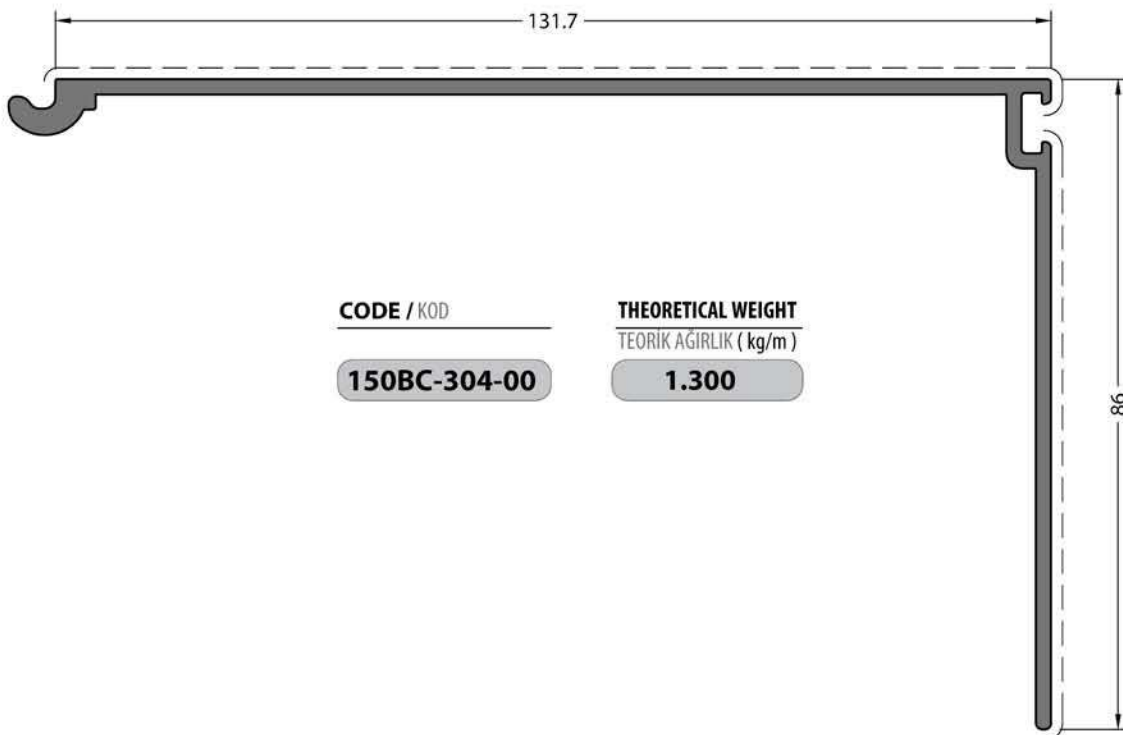
**CODE / KOD**

**150BC-303-00**

**THEORETICAL WEIGHT**

TEORİK AĞIRLIK ( kg/m )

**2.203**



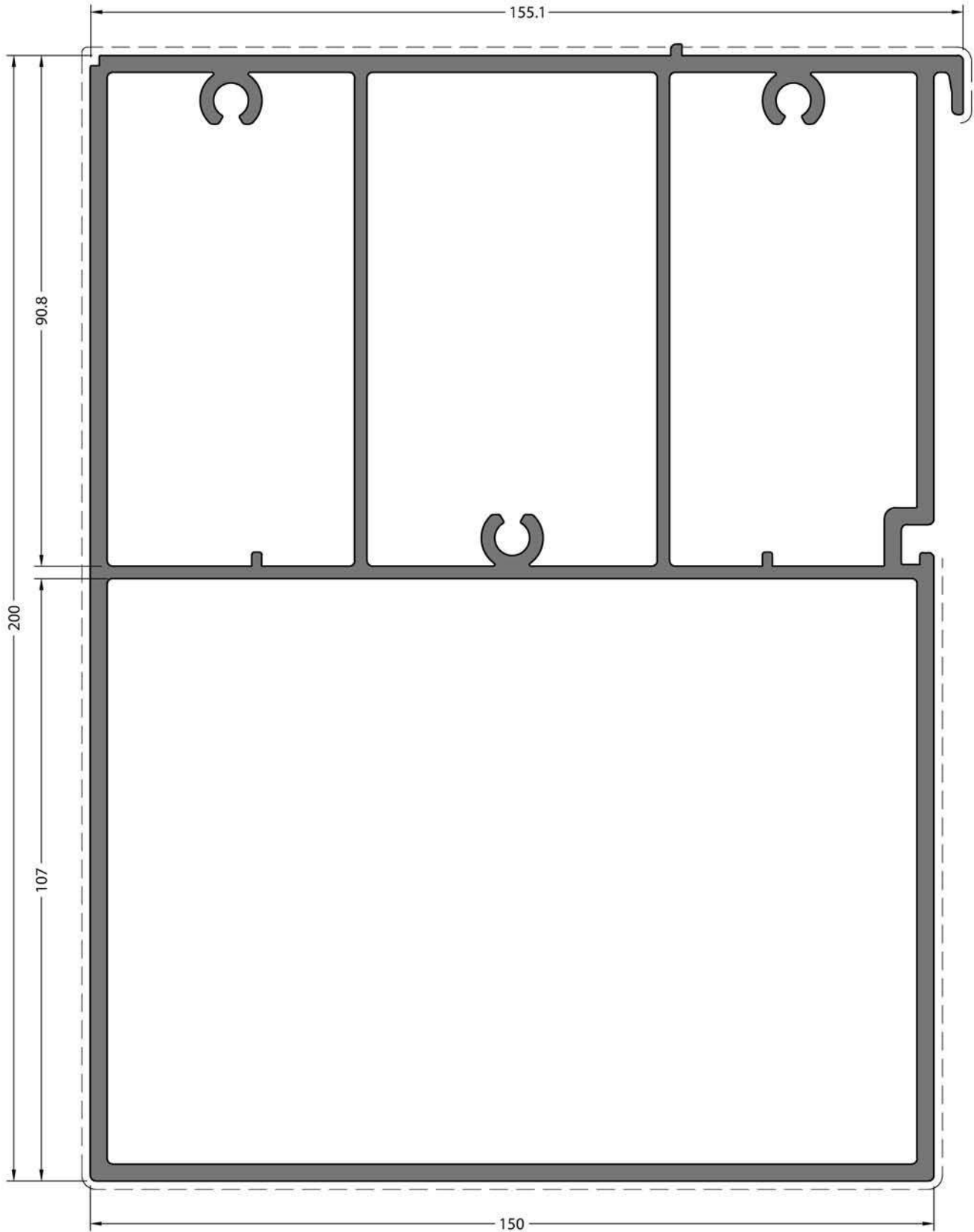
**CODE / KOD**

**150BC-304-00**

**THEORETICAL WEIGHT**

TEORİK AĞIRLIK ( kg/m )

**1.300**



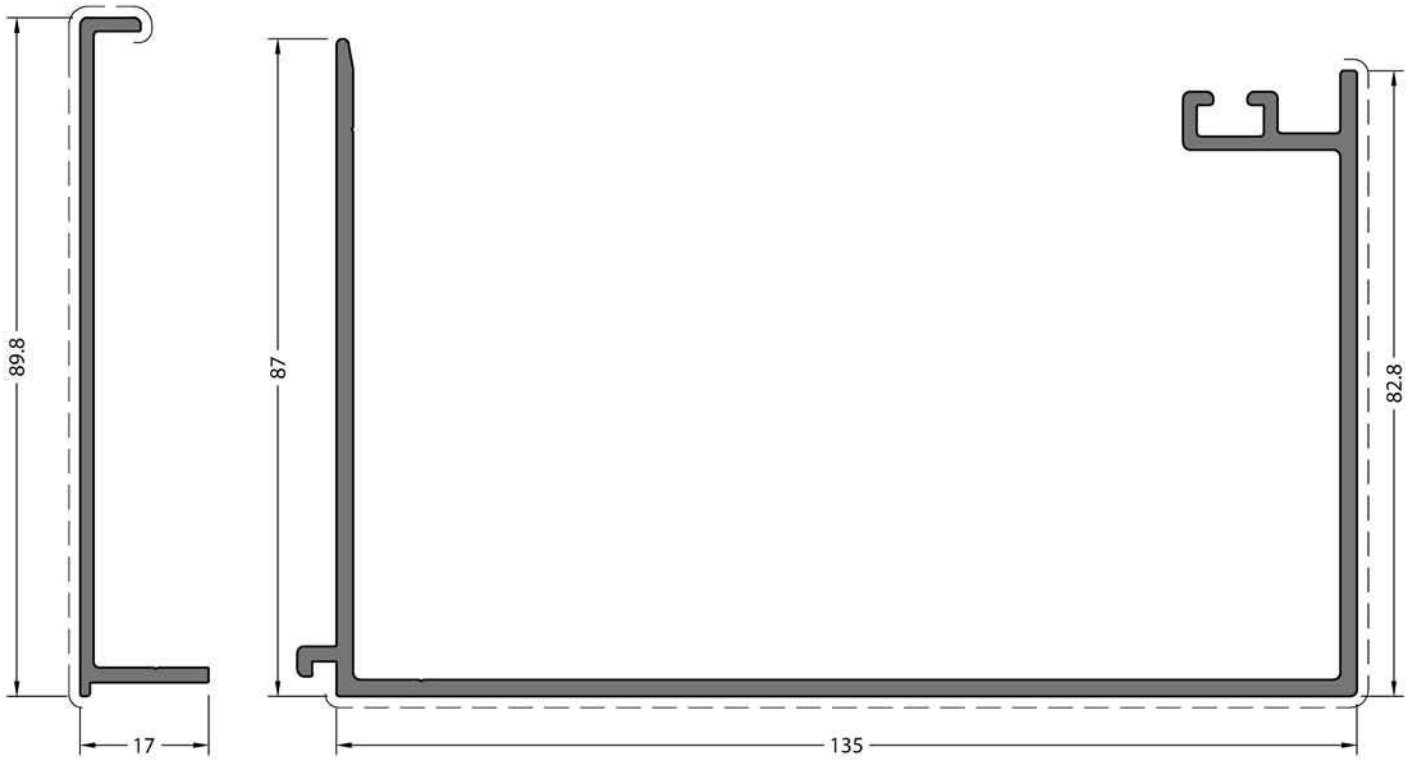
CODE / KOD

**150BC-401-00**

THEORETICAL WEIGHT

TEORİK AĞIRLIK ( kg/m )

**8.080**



CODE / KOD

**150BC-402-00**

THEORETICAL WEIGHT  
TEORİK AĞIRLIK ( kg/m )

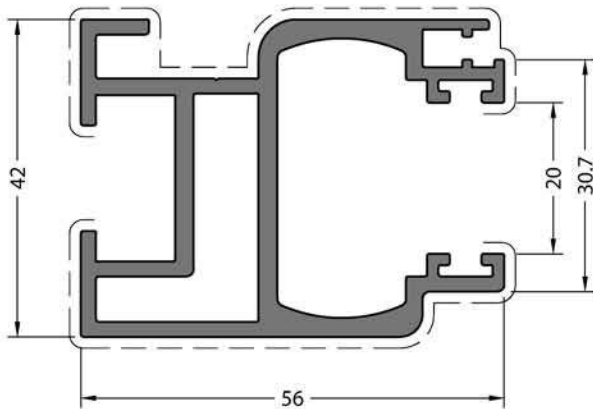
**1.291**

CODE / KOD

**150BC-403-00**

THEORETICAL WEIGHT  
TEORİK AĞIRLIK ( kg/m )

**2.004**

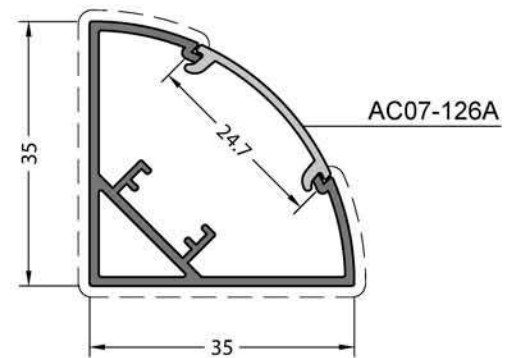


CODE / KOD

**150BC-501-00**

THEORETICAL WEIGHT  
TEORİK AĞIRLIK ( kg/m )

**1.507**

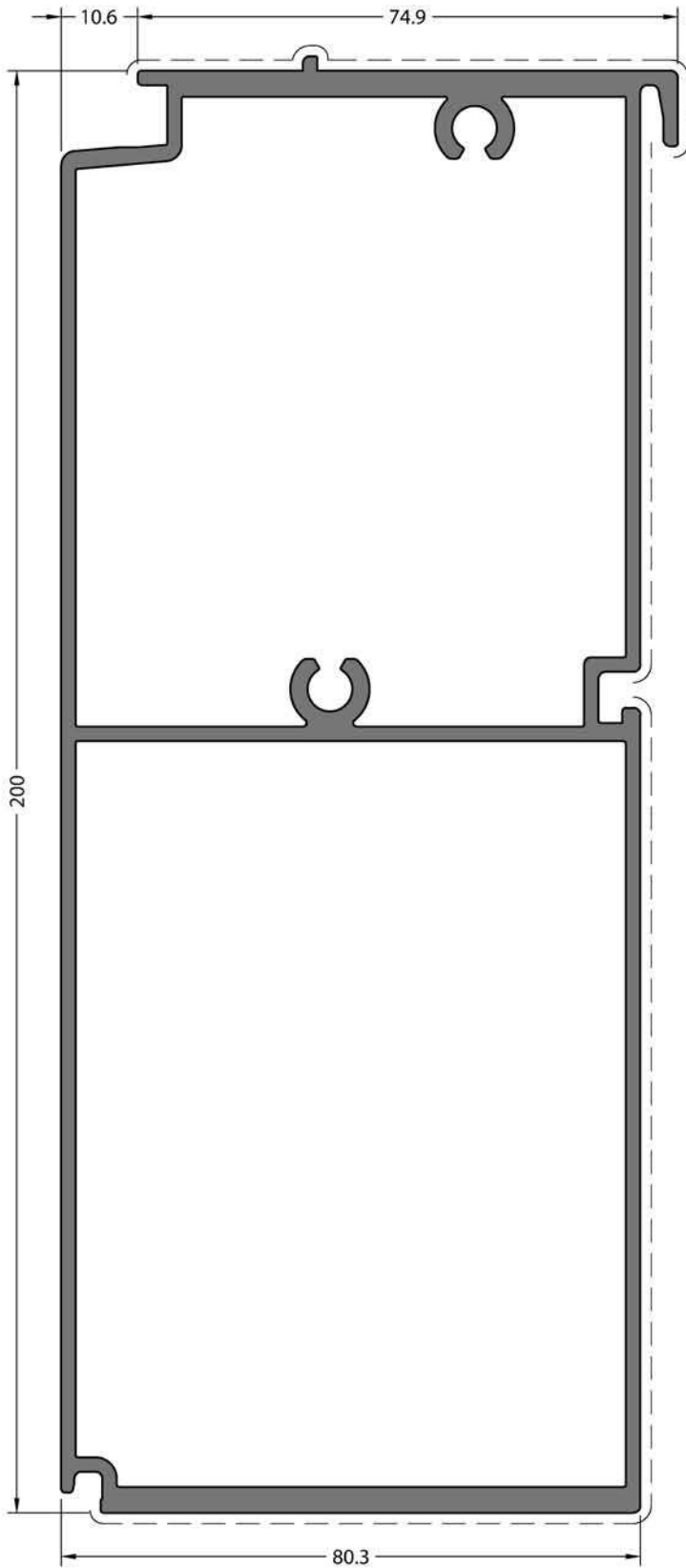


CODE / KOD

**07-126-00**

THEORETICAL WEIGHT  
TEORİK AĞIRLIK ( kg/m )

**0.419**

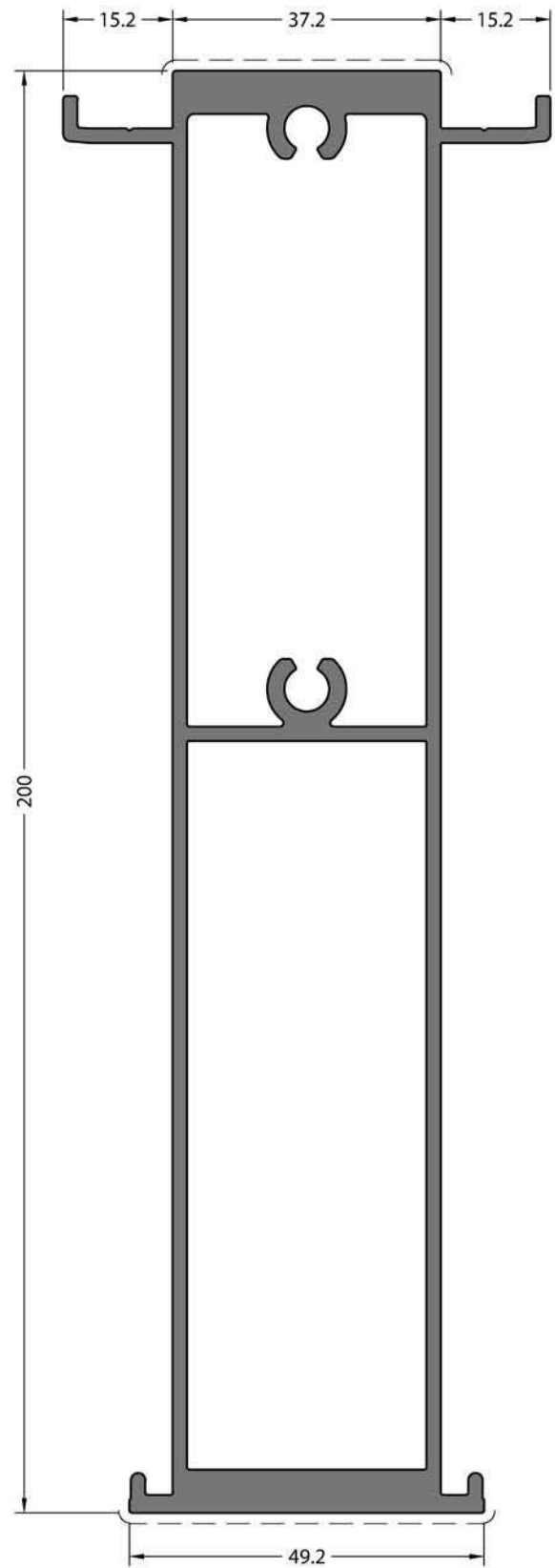


CODE / KOD

**150BC-411-00**

THEORETICAL WEIGHT  
TEORİK AĞIRLIK (kg/m)

**4.425**

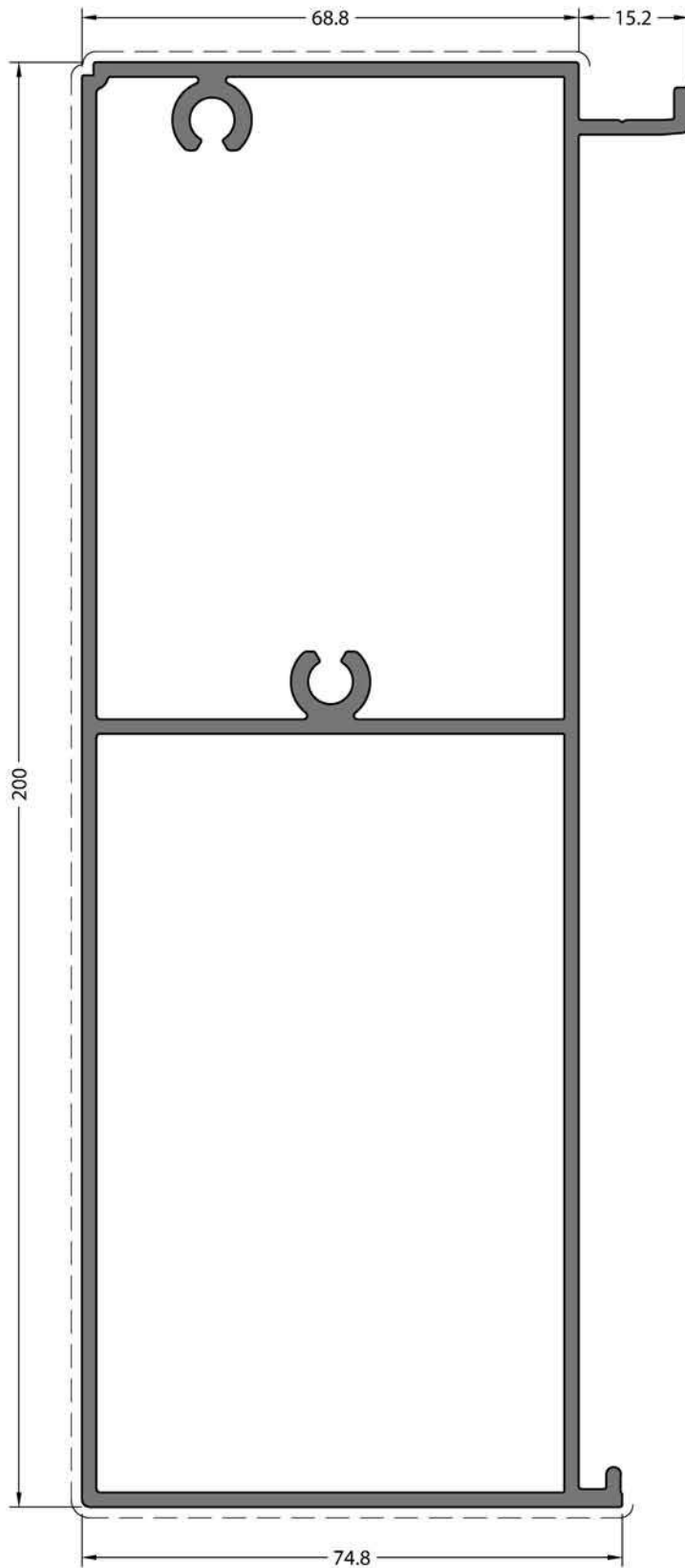


CODE / KOD

**150BC-413-00**

THEORETICAL WEIGHT  
TEORİK AĞIRLIK (kg/m)

**3.957**



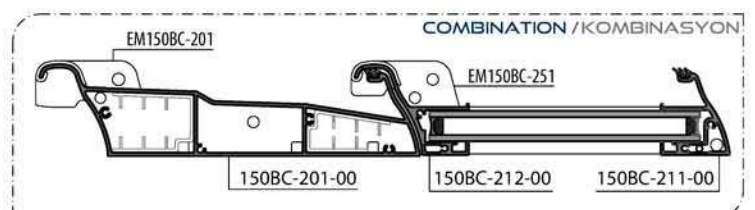
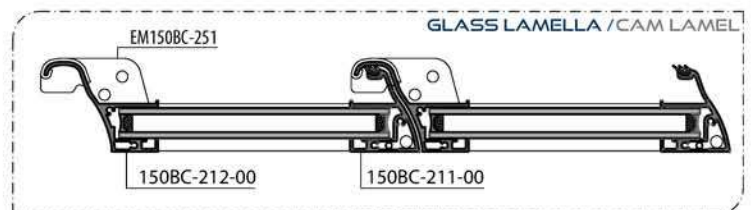
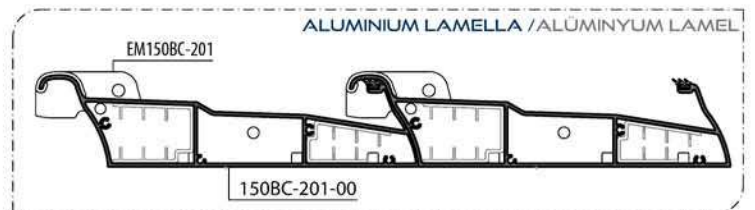
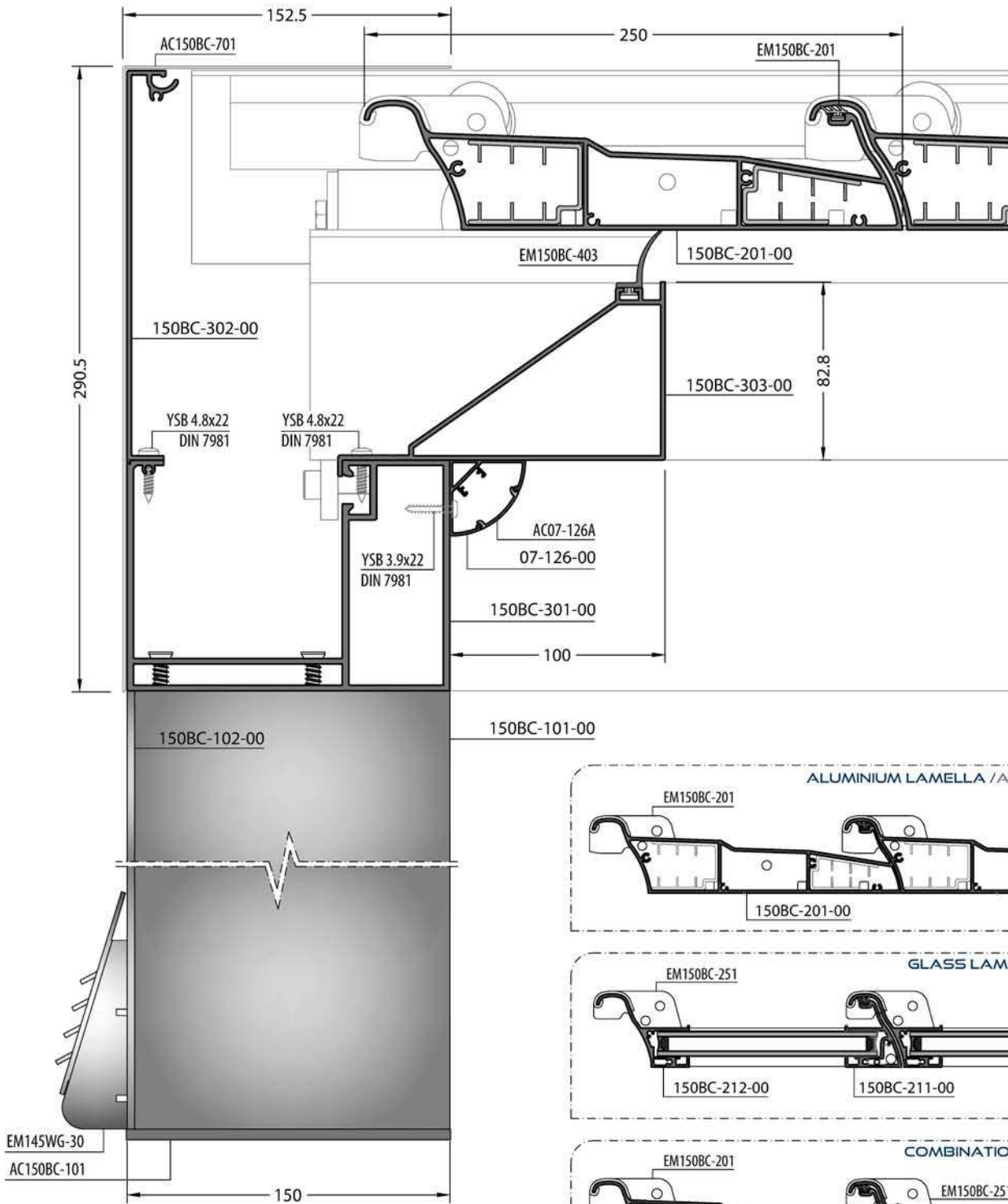
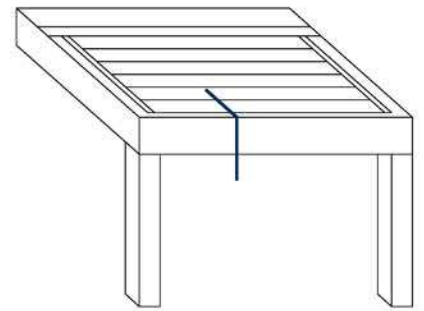
**CODE / KOD**

**150BC-412-00**

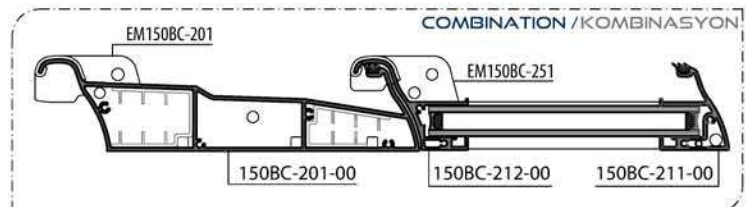
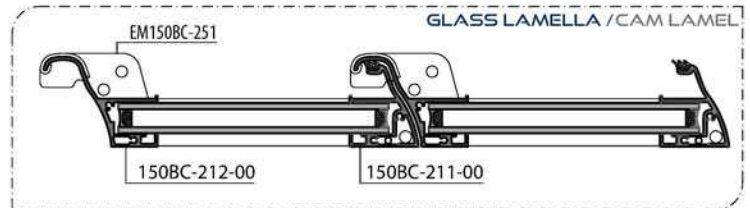
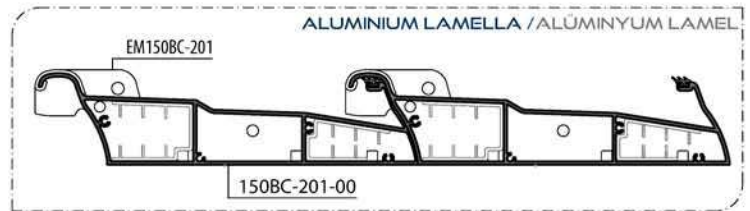
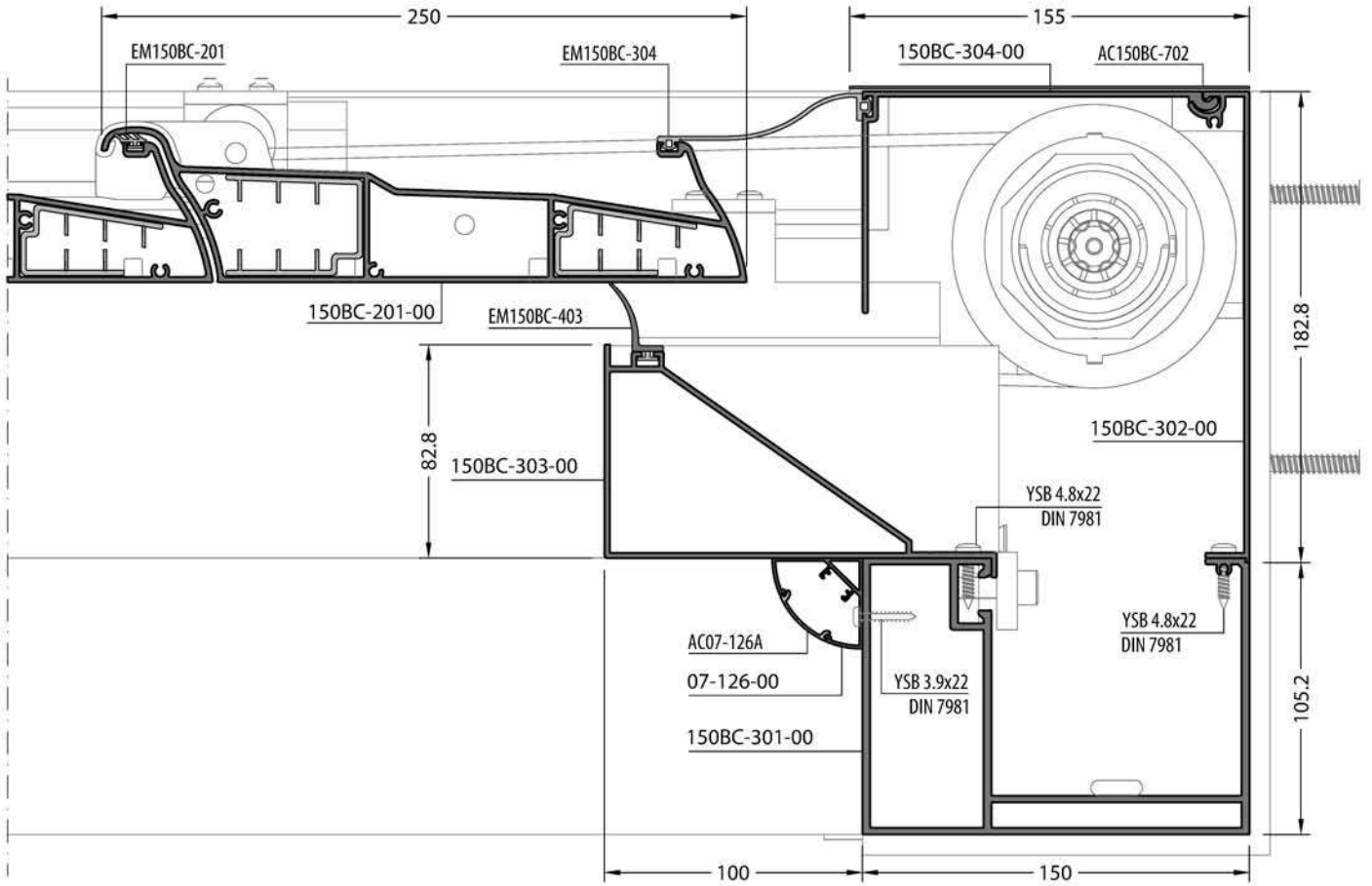
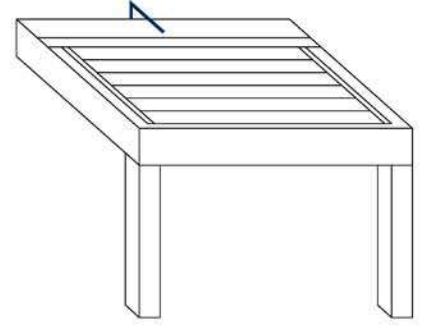
**THEORETICAL WEIGHT**  
TEORİK AĞIRLIK ( kg/m )

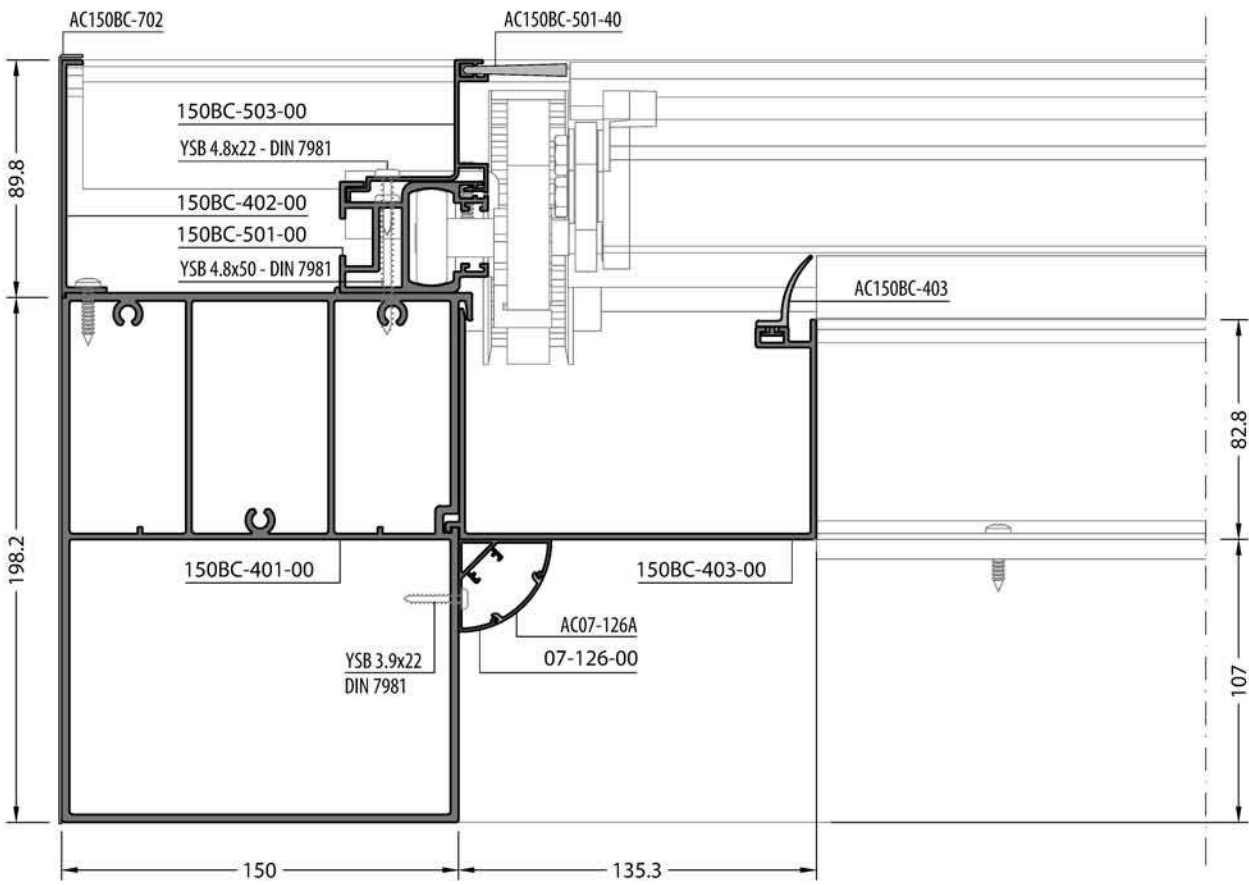
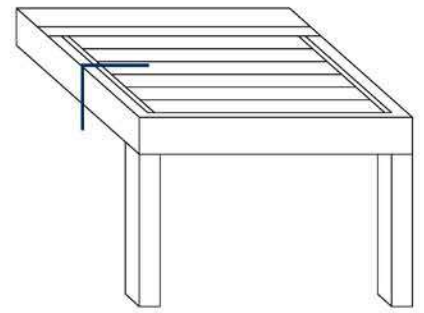
**3.666**

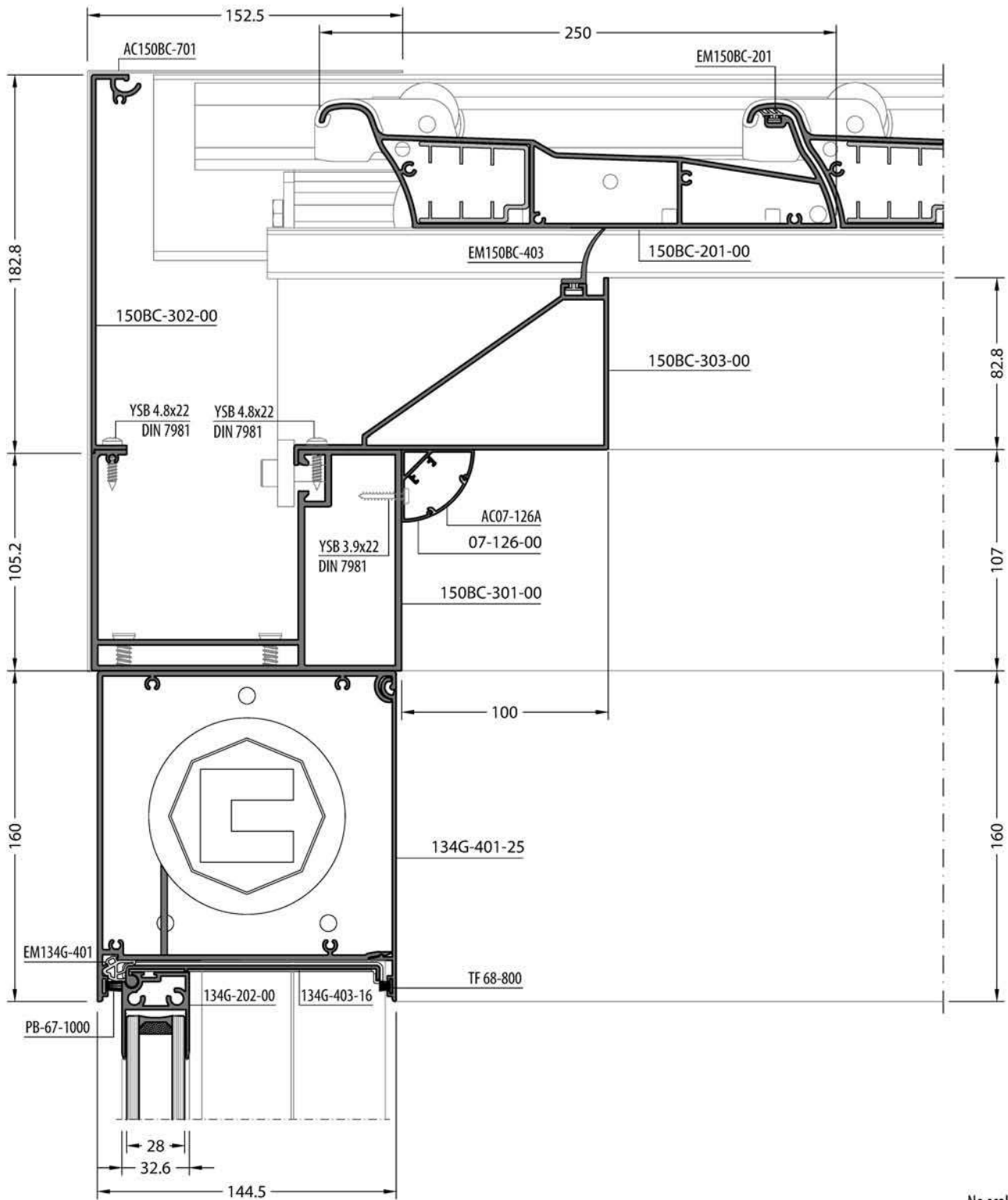
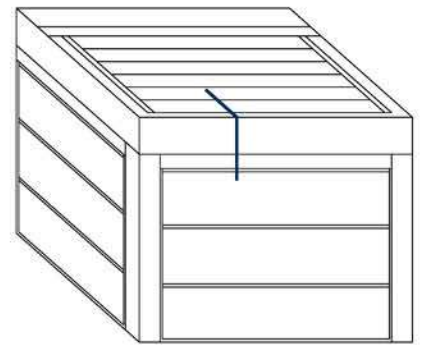
DETAILS  
DETAYLAR



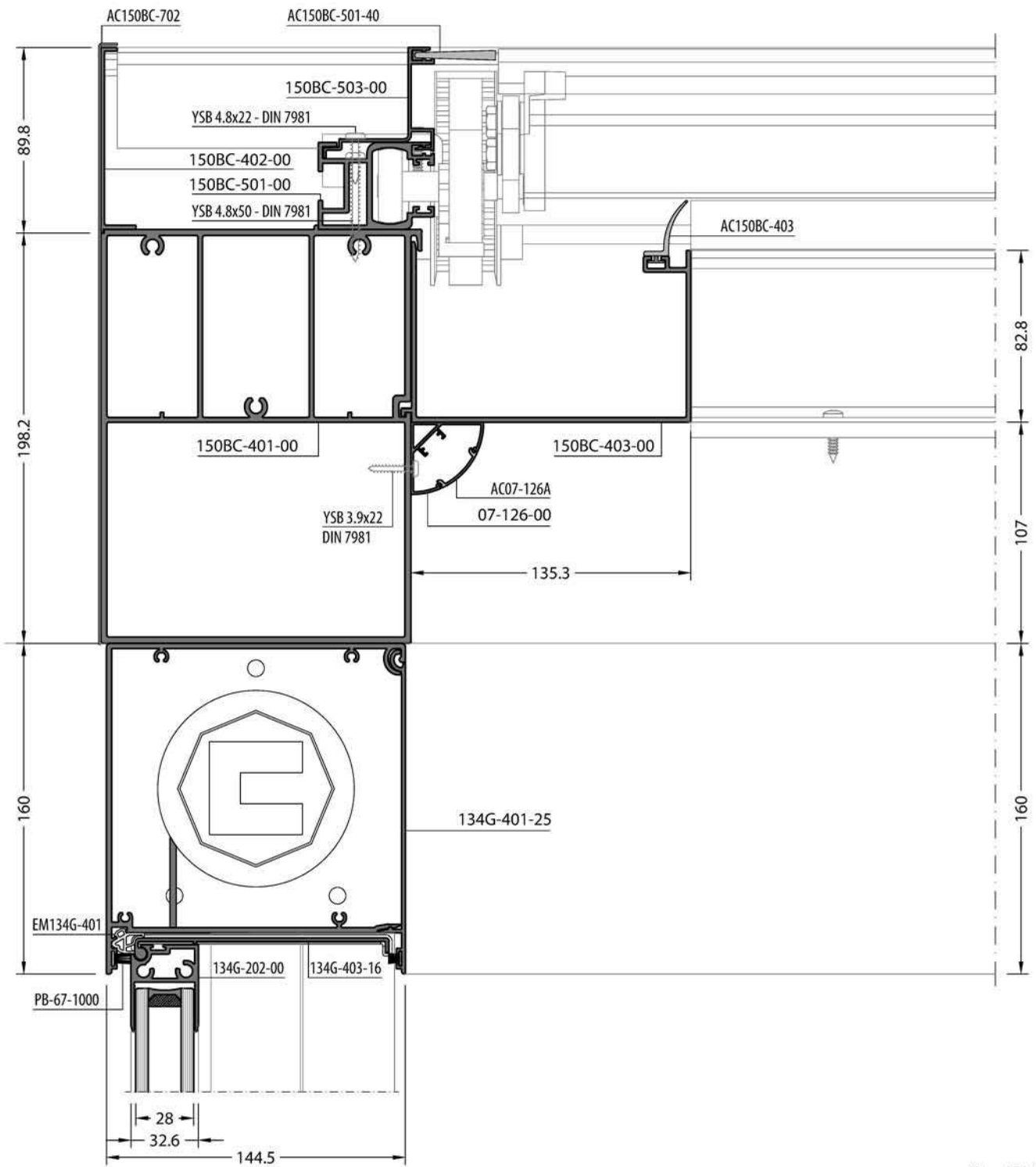
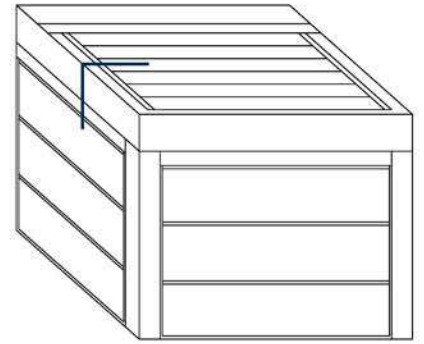
No scaled / Ölçeksiz



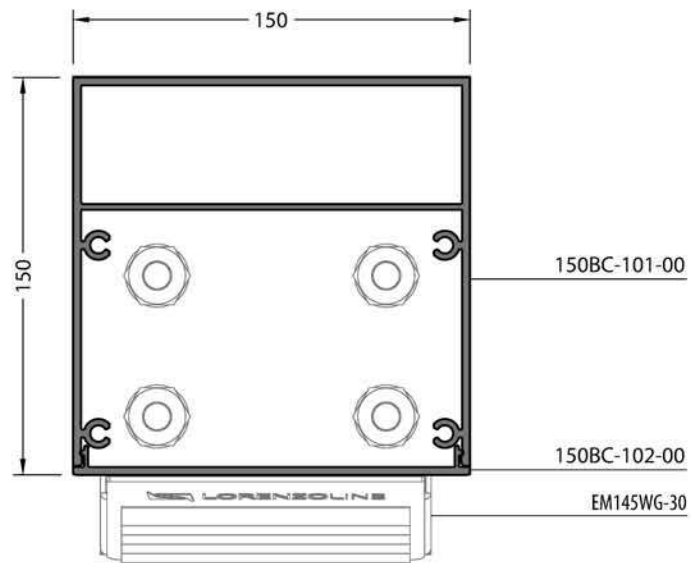
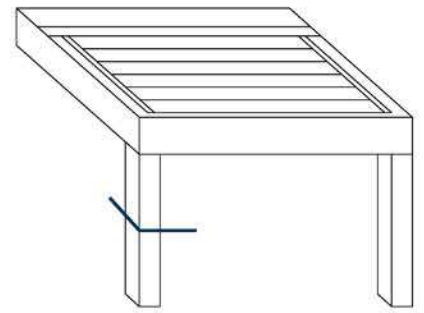


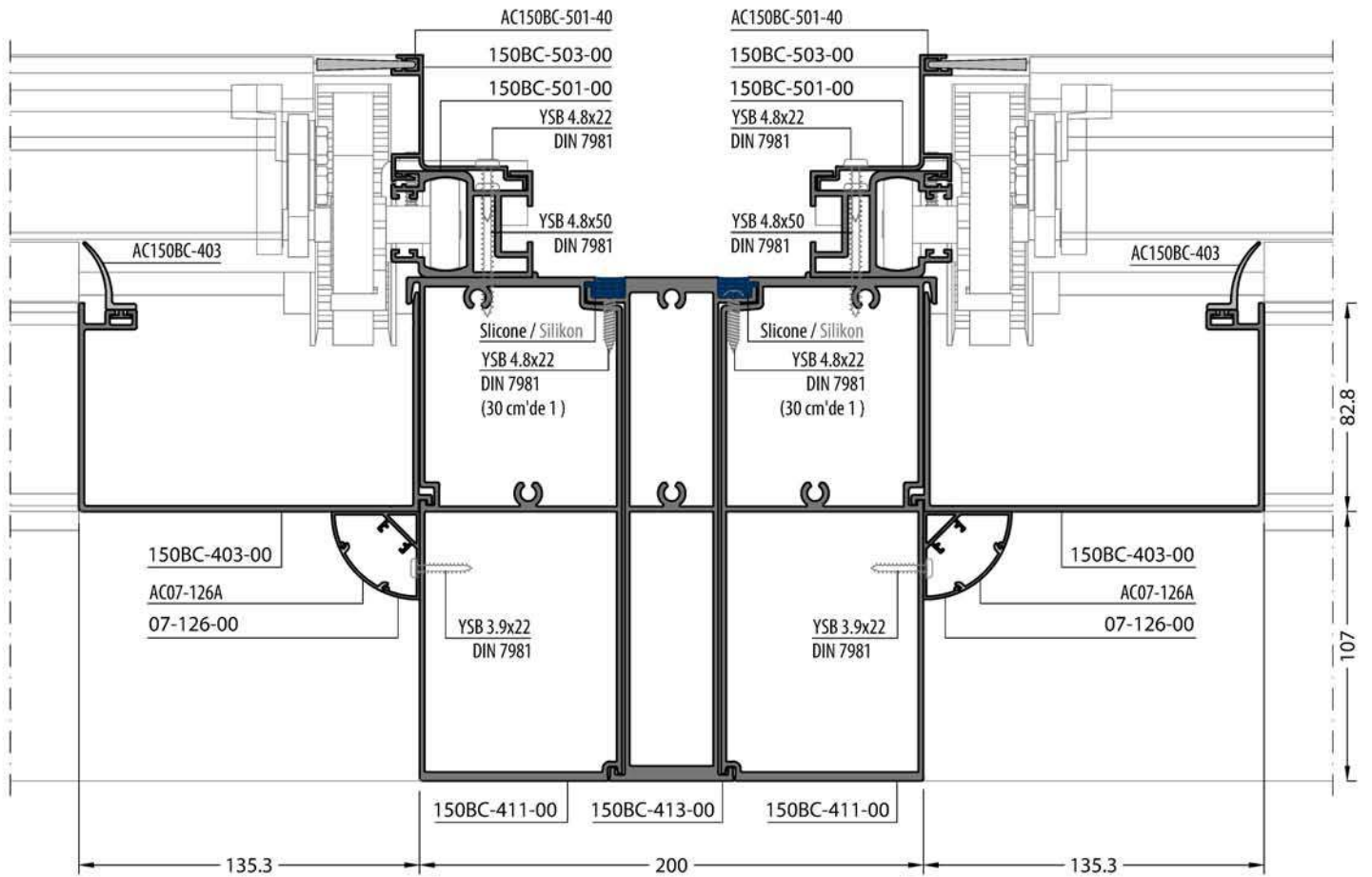
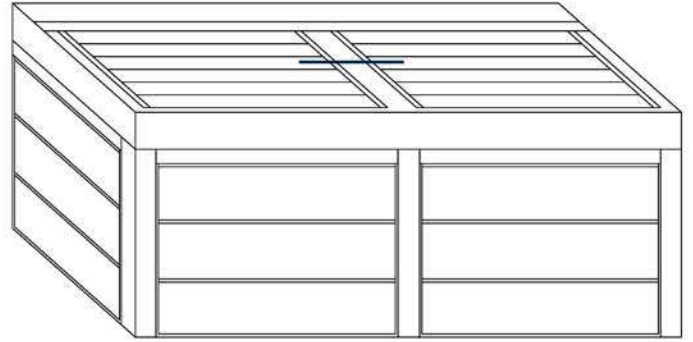


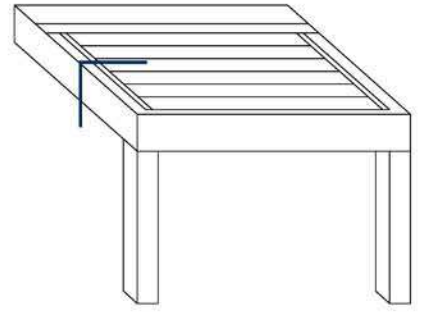
No scaled / Ölçeksiz



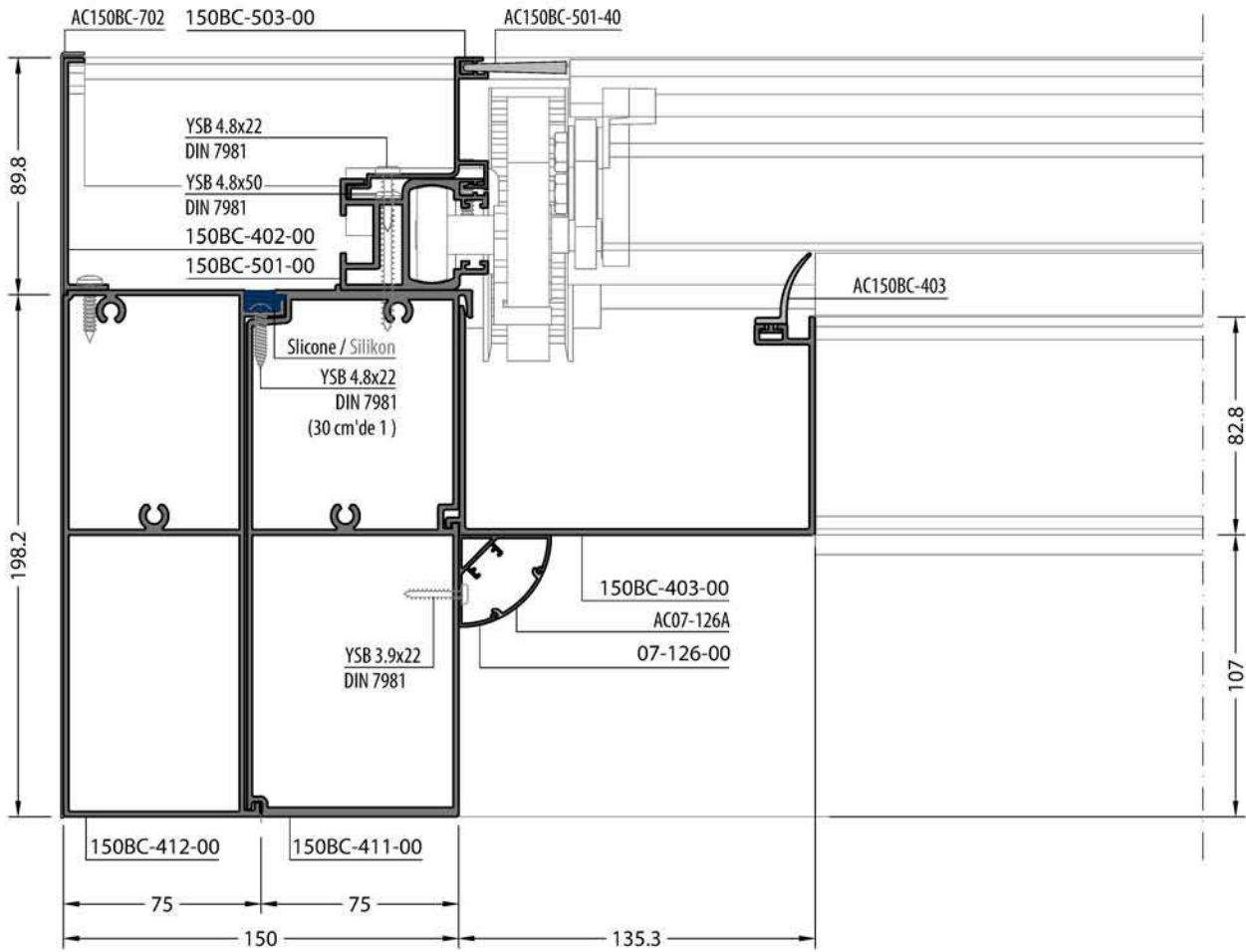
No scaled / Ölçeksiz








**150BC-401-00**  
**ALTERNATIVE PROFILE**  
**PROFİLİN ALTERNATİFİ**



ACCESSORIES  
AKSESUARLAR








**ROLLING ROOF  
ACCESSORIES / AKSESUARLAR**




PACKAGE CODE PAKET KODU	PICTURE / RESİM	DESCRIPTION AÇIKLAMA	PACKAGE CODE PAKET KODU	PICTURE / RESİM	DESCRIPTION AÇIKLAMA
<b>AC150BC-201</b>		<b>LAMELLA CAP SIDE SET</b> LAMEL YAN KAPAK TAKIMI	<b>AC150BC-402</b>		<b>SPECIAL MAIN RAIL BRACKET FOR TWO MODULUS</b> İKİ MODÜL İÇİN ÖZEL ANA RAY MONTAJ PLAKASI
<b>AC150BC-251</b>		<b>GLASS LAMELLA CAP SIDE SET</b> CAM LAMEL YAN KAPAK TAKIMI	<b>AC150BC-101</b>		<b>POST BRACKET</b> KOLON ANKRAJI
<b>AC150BC-202</b>		<b>PULLEY</b> RULMAN	<b>AC150BC-502</b>		<b>TRIGER TENSION SET</b> TRIGER GERGİ TAKIMI
<b>AC150BC-211</b>		<b>FRICTION HINGE START</b> MAKAS BAŞLANGIÇ	<b>AC150BC-550</b>		<b>LAMELLA LOCK SET</b> LAMEL KİTLEME BRAKETİ
<b>AC150BC-212</b>		<b>FRICTION HINGE MIDDLE</b> MAKAS ORTA	<b>AC150BC-611</b>		<b>MIDDLE STEEL BRACKET</b> ORTA ÇELİK BRAKET
<b>AC150BC-213</b>		<b>FRICTION HINGE END</b> MAKAS SON	<b>AC150BC-261</b>		<b>LAMELLA SUPPORT WEDGE</b> LAMEL DESTEK TAKOZU
<b>AC150BC-401</b>		<b>MAIN RAIL BRACKET</b> ANA RAY MONTAJ PLAKASI	<b>AC150BC-510</b>		<b>TRIGER CONNECTION PART</b> TRIGER BİRLEŞİM ELEMANI
<b>AC150BC-411</b>		<b>ALTERNATIVE MAIN RAIL BRACKET</b> ALTERNATİF ANA RAY MONTAJ PLAKASI	<b>AC150BC-570</b>		<b>WALL BRACKET</b> DUVAR ANKRAJI

**ROLLING ROOF  
ACCESSORIES / AKSESUARLAR**

PACKAGE CODE PAKET KODU	PICTURE / RESİM	DESCRIPTION AÇIKLAMA	PACKAGE CODE PAKET KODU	PICTURE / RESİM	DESCRIPTION AÇIKLAMA
<b>AC150BC-602</b>		<b>80x160x6mm STEEL PROFILE</b> ÇELİK PROFİL	<b>AC150BC-583</b>		<b>OCTAGONAL TUBE</b> SEKİZGEN BORU
<b>AC150BC-501-40</b>		<b>BRUSH</b> FİRÇA	<b>AC150BC-305</b>		<b>OCTAGONAL PIPE SUPPORT ITEM</b> SEKİZGEN BORU DESTEK ELEMANI
<b>AC07-126A</b>		<b>LED PROFILE DIFFUSER</b> LED PROFİL DİFÜZÖRÜ	<b>AC150BC-581</b>		<b>TUBULAR MOTOR WITH RECIEVER</b> ALICILI TÜP MOTOR
<b>AC07-126B</b>		<b>LED PROFILE CORNER</b> LED PROFİL KÖŞE ELEMANI	<b>AC150BC-584</b>		<b>TUBE HEAD</b> BORU BAŞI
<b>EM145WG-20/D</b>		<b>GUTTER FILTER</b> OLUK SÜZGEÇİ	<b>AC150BC-584</b>		<b>MOTOR TRIGGER GEAR</b> MOTOR TRIGGER DİŞLİSİ
<b>EM145WG-30</b>		<b>POST DRAINAGE CAP</b> KOLON TAHLİYE KAPAĞI	<b>AC150BC-500</b>		<b>TRIGGER BELT</b> TRIGGER KAYIŞ T10
<b>AC150BC-301</b>		<b>HOLE TEMPLATE</b> DELİK ŞABLONU (150BC-301-00)	<b>AC150BC-593</b>		<b>INSULATED LED (Daylight)</b> İZOLELİ LED (Gün Işığı)
<b>AC150BC-580</b>		<b>TUBULAR MOTOR BRACKET</b> TÜP MOTOR ANKRAJ	<b>AC150BC-594</b>		<b>LED TRANSFORMER</b> LED TRAFOSU

**ROLLING ROOF  
ACCESSORIES / AKSESUARLAR**

PACKAGE CODE PAKET KODU	PICTURE / RESİM	DESCRIPTION AÇIKLAMA
<b>AC150BC-403</b>		<b>SMALL GUTTER SHEET</b> KÜÇÜK OLUK LEVHA
<b>AC150BC-701</b>		<b>CORNER COVER SHEET SET</b> KÖŞE KAPAMA LEVHA
<b>AC150BC-702</b>		<b>BACK COVER SHEET SET</b> ARKA KAPAMA LEVHA
<b>AC150BC-703</b>		<b>CENTER CONNECTION SHEET</b> ORTA BİRLEŞİM LEVHA
<b>EM150BC-201</b>		<b>LAMELLA GASKET</b> LAMEL FİTİLİ
<b>EM150BC-304</b>		<b>MOTOR LAMELLA GASKET</b> MOTOR LAMEL FİTİLİ
<b>EM150BC-403</b>		<b>ISOLATION GASKET</b> İZOLASYON FİTİLİ

PACKAGE CODE PAKET KODU	PICTURE / RESİM	DESCRIPTION AÇIKLAMA
<b>HM150BC-201-A</b>		<b>EPS</b> EPS DOLGU Size / Ölçü 2 Meter / Metre
<b>HM150BC-201-B</b>		<b>EPS</b> EPS DOLGU Size / Ölçü 2 Meter / Metre
<b>HM150BC-201-C</b>		<b>EPS</b> EPS DOLGU Size / Ölçü 2 Meter / Metre

